

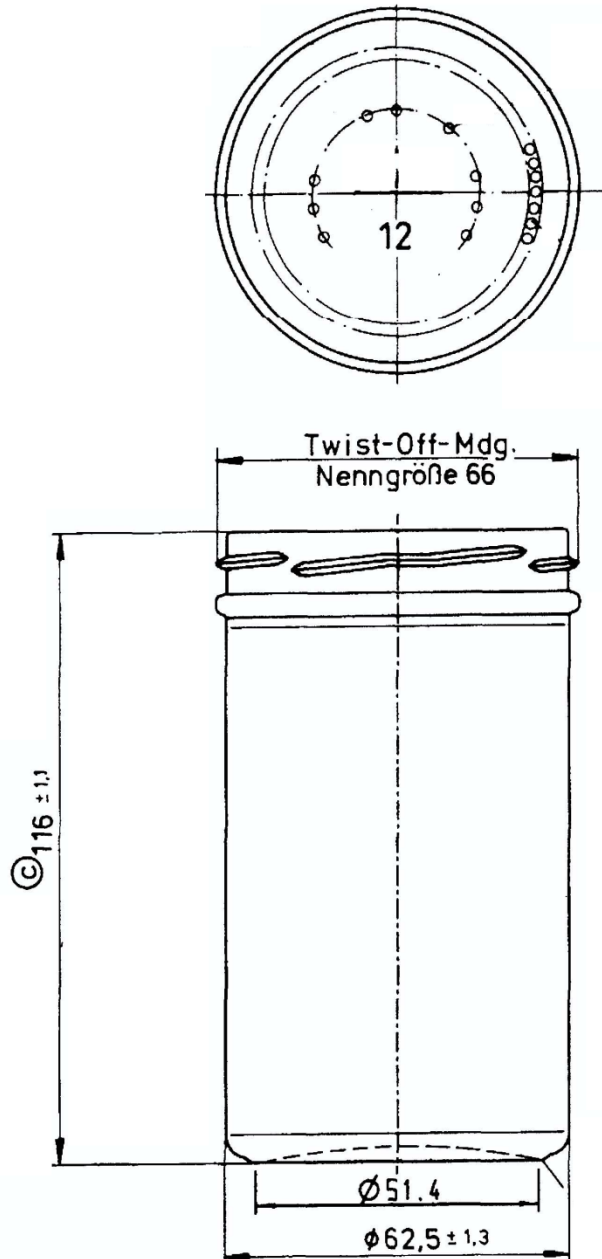


working with you

Alpha Place, Garth Road
Morden, Surrey
SM4 4LX England

(T): +44 208 337 2945
(E): sales@croxsons.com
WWW.CROXSONS.COM

Registered Office as above. Registered No: 71941



DESCRIPTION:	277ml Tall Jar		ITEM CODE:	CRNC3367	
COLOUR:	Flint		WEIGHT:	175g	
NOMINAL CAPACITY:	277ml	BRIMFULL CAPACITY:	277 ± 9.0ml	CLOSURE:	66mm Twist Off
HEIGHT:	116.11mm ±	DIAMETER:	62.5 ± 1.3mm	FILL HEIGHT:	mm
LABEL PANEL:	mm	CARBONATION:	Nil	VACUITY:	ml %
PALLET HEIGHT:	2.050m	PALLET WEIGHT:	876kg	UNITS PER PALLET:	4768
DRAWING CHECKED:	<i>[Signature]</i>	DATE CHECKED:	15.11.2011	DRAWING REF:	CRNC3367.03

All measurements are approximate unless tolerances stated then are in accordance with ISO9058:2008, E&OE excepted.
Clients should run trials and check physical samples prior to any full scale production.

QF015 Iss 002 30/11/2010