

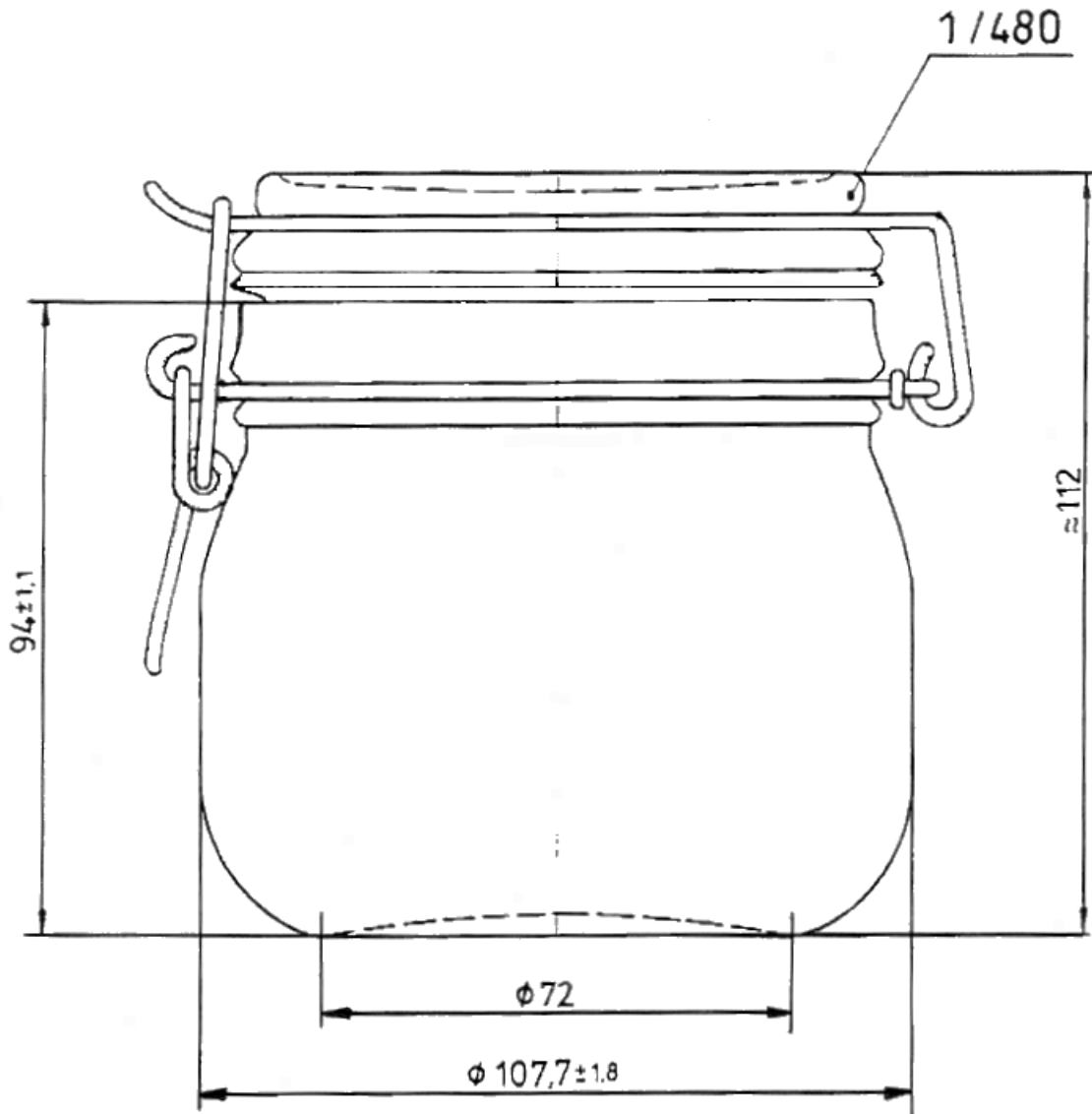


working with you

Alpha Place, Garth Road
Morden, Surrey
SM4 4LX England

(T): +44 208 337 2945
(E): sales@croxsons.com
WWW.CROXSONS.COM

Registered Office as above. Registered No: 71941



DESCRIPTION:	634ml Kilner		ITEM CODE:	CRNC7550	
COLOUR:	Flint		WEIGHT:	450g – completed unit	
NOMINAL CAPACITY:	634ml	BRIMFULL CAPACITY:	634 ± 15ml	CLOSURE:	Metal Clasp and Rubber Seal
HEIGHT:	112 ± mm	DIAMETER:	107.7 ± mm	FILL HEIGHT:	mm
LABEL PANEL:	mm	CARBONATION:	bar	VACUITY:	%
PALLET HEIGHT:	1.700m	PALLET WEIGHT:	713kg	UNITS PER PALLET:	1400
DRAWING CHECKED:	<i>[Signature]</i>	DATE CHECKED:	26.10.2011	DRAWING REF:	CRNC7550.01