

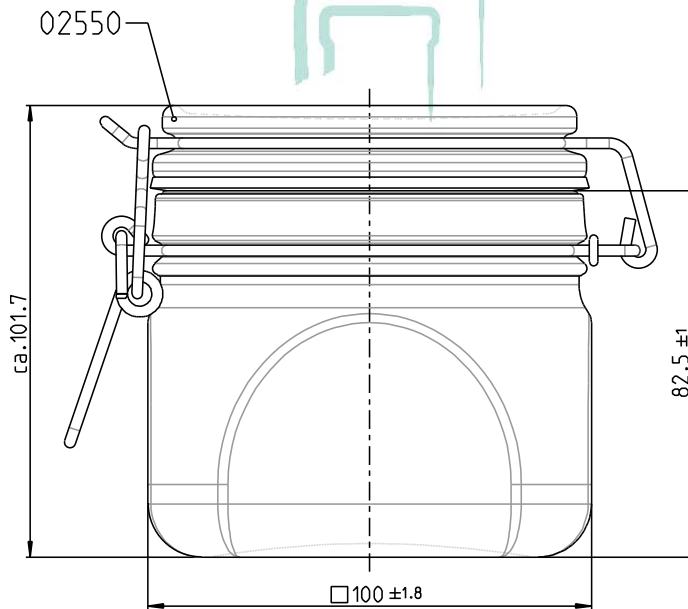
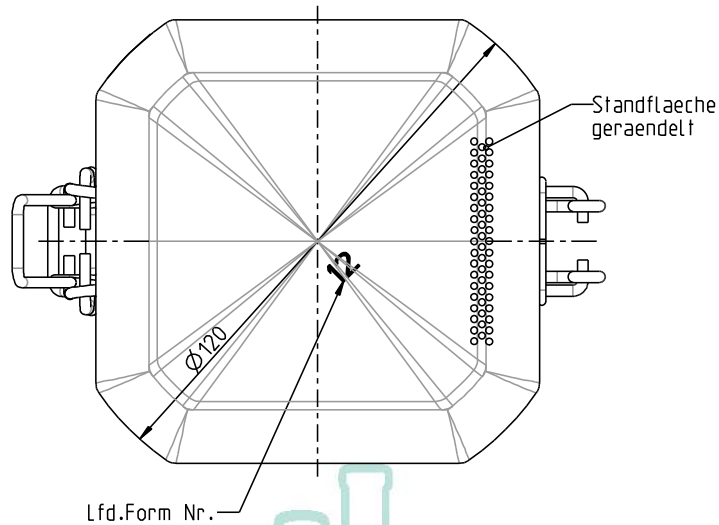


working with you

Alpha Place, Garth Road
Morden, Surrey
SM4 4LX England

(T): +44 208 337 2945
(E): sales@croxsons.com
WWW.CROXSONS.COM

Registered Office as above. Registered No: 71941



DESCRIPTION:	550ml Kilner Jar		ITEM CODE:	CRNC6443	
COLOUR:	Flint		WEIGHT:	498g	
NOMINAL CAPACITY:	550ml	BRIMFULL CAPACITY:	550 ± 15ml	CLOSURE:	Metal Clasp / Rubber Seal
HEIGHT:	101.7mm ±	DIAMETER:	100 ± 1.8mm	FILL HEIGHT:	mm
LABEL PANEL:	mm	CARBONATION:	bar	VACUITY:	%
PALLET HEIGHT:	1.180m	PALLET WEIGHT:	532kg	UNITS PER PALLET:	990
DRAWING CHECKED:		DATE CHECKED:	25.02.2011	DRAWING REF:	CRNC6443.01