



ISO Registered Company



HEAT ACTUATED THERMAL TRIP VALVES

Cashco's heat actuated thermal trip valves are designed to automatically actuate the valve plug from a fully open to a fully closed position whenever the externally located fusible link is directly exposed to ambient temperature levels in excess of the link's melting point.

FEATURES

- FM Approved.
- Meets many OSHA specified applications.
- Two models to choose from.
- Four actuation temperature links.
- Sizes 1/4" thru 2".
- Positive shutoff.
- NPT or flanged end connections.
- SST body material.
- SST trim standard.
- Two downstream fluid operational venting conditions available following actuation.



SERIES FL800

APPLICATIONS

Thermal trip valves are utilized where piping is carrying flammable fluids that could add fuel in event of a fire, or release toxic fumes that might be injurious to personnel or firefighters. (See Schematic No. 1.)

Thermal trip valves are used as a failsafe pilot valve to cause a spring-to-close, diaphragm actuated, main valve to close when the thermal trip valve is actuated by excessive heat. (See Schematic No. 2.)

Fuel or chemical storage tanks and wall penetration at fire barriers or interior-exterior walls are the most common applications.



SERIES FL200

GENERAL SPECIFICATIONS

SERIES FL200

Available Sizes: 1/4", 1/2", 3/4" & 1"

Pressure Rating: 130 psig W.O.G.

Available End Connections: NPT

Materials Available: SST Body with SST Trim

Downstream Vent Mode after Actuation: Type V Only

Gasket Material: Flexicarb NR

SERIES FL800

Available Sizes: 1/4", 1/2", 3/4", 1", 1-1/2" & 2"

Operating Pressure - Temperature Rating:

End Connection	Inlet psig	Temperature °F
NPT or 300# RF	300	-20 to +360
150# RF	275	-20 to +100
	235	200
	215	300
	205	360

Materials Available: 316SST Body with SST Trim
Flange ASTM A182 per ASME B16.5

Downstream Vent Mode after Actuation: Type S or Type V

Gasket Material: Flexicarb NR and Graphite

TECHNICAL SPECIFICATIONS

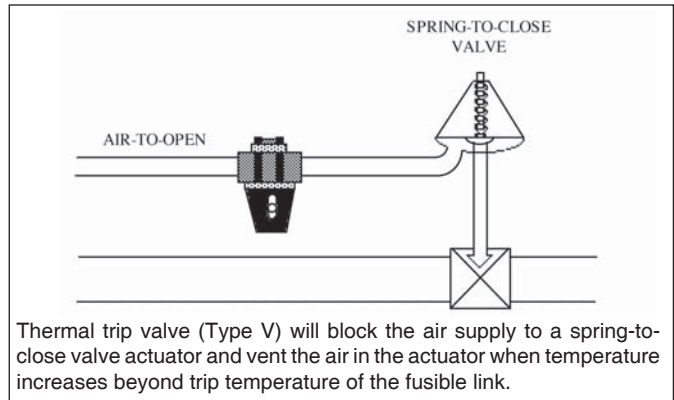
Fusible Link Temperature Trip: Standard: 212°F.
Optional: 165°, 280° and 360°F.

Flow Coefficient –Cv:

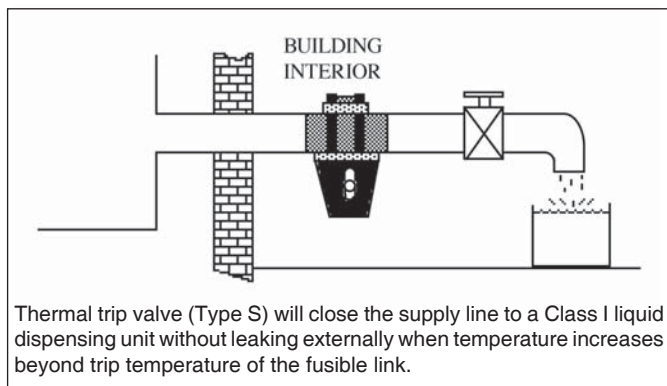
Flow Coefficient — Cv						
Series	Body Sizes					
	1/4"	1/2"	3/4"	1"	1-1/2"	2"
FL200	1.5	4.9	12.0	12.7	NA	NA
FL800	1.6	4.0	6.3	10.0	22.0	34.0
NA – Not Available						

Vent Types: **Type S (Standard):** An actuated valve **will not** allow venting of downstream to atmosphere. MAY BE USED WITH TOXIC OR COMBUSTIBLE LIQUIDS OR GASES WHERE BODY AND TRIM MATERIALS ARE SUITABLE TO CORROSIVE FLUIDS.

Vent Types (Cont.): **Type V (Vent):** An actuated valve **will vent** downstream to atmosphere at the location of the thermal trip valve. USE ONLY IN NON-TOXIC, OR NON-COMBUSTIBLE, NON-CORROSIVE GASEOUS FLUIDS.



Schematic No. 2



Schematic No. 1

Applicable OSHA Regulations:

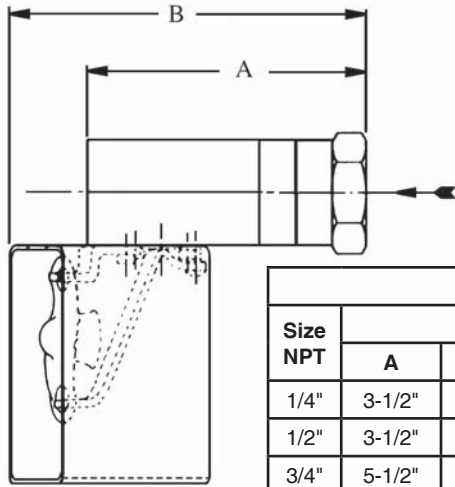
(Page 22175, Federal Register, Vol. 37, No. 202 dated 10/18/72) "Flammable or combustible tanks located inside of buildings...shall be provided with an automatic-closing heat-actuated valve on each withdrawal connection below the liquid level... to prevent continued flow in the event of fire in the vicinity of the tank."

OPTION SPECIFICATION

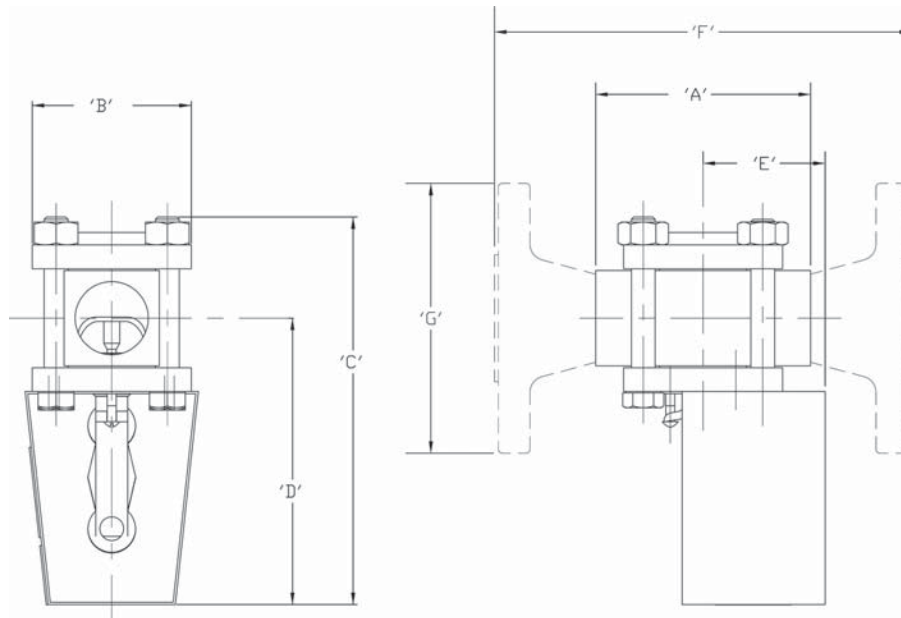
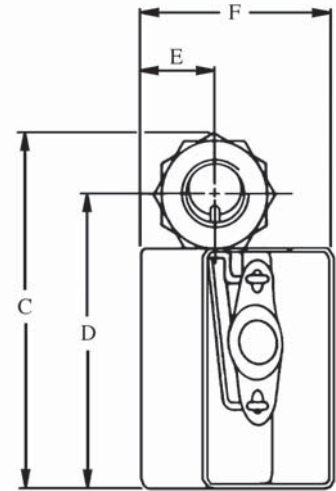
Option-56:

SPECIAL CLEANING. Cleaning per Cashco Spec #S-1542.
For nonoxygen industrial gas service.

DIMENSIONS



SERIES FL200						
Size NPT	Dimensions					
	A	B	C	D	E	F
1/4"	3-1/2"	4-1/2"	5-1/16"	4-3/16"	1-3/16"	3"
1/2"	3-1/2"	4-1/2"	5-1/16"	4-3/16"	1-3/16"	3"
3/4"	5-1/2"	6-3/8"	5-9/16"	4-7/16"	1-3/16"	3"
1"	5-1/2"	6-3/8"	5-9/16"	4-7/16"	1-3/16"	3"



SERIES FL800									
Size NPT	Dimensions								
	A	B	C	D	E	F-150#	F-300#	G-150#	G-300#
1/4"	3-3/8"	2-1/2"	6-1/16"	4-9/16"	1-13/16"	-	-	-	-
1/2"	3-3/8"	2-1/2"	6-1/16"	4-9/16"	1-13/16"	5-11/16"	6-1/16"	3-1/2"	3-3/4"
3/4"	3-3/8"	2-1/2"	6-1/16"	4-9/16"	1-13/16"	6-7/16"	6-13/16"	3-7/8"	4-5/8"
1"	3-3/8"	2-1/2"	6-1/16"	4-9/16"	1-13/16"	6-9/16"	7-1/16"	4-1/4"	4-7/8"
1-1/2"	5"	4"	7-9/16"	5-5/16"	1-13/16"	8-1/4"	8-3/4"	5"	6-1/8"
2"	5-3/4"	4"	7-9/16"	5-5/16"	1-13/16"	9-1/4"	9-3/4"	6"	6-1/2"

The contents of this publication are presented for informational purposes only, and while every effort has been made to ensure their accuracy, they are not to be construed as warranties or guarantees, express or implied, regarding the products or services described herein or their use or applicability. We reserve the right to modify or improve the designs or specifications of such product at any time without notice.
Cashco, Inc. does not assume responsibility for the selection, use or maintenance of any product. Responsibility for proper selection, use and maintenance of any Cashco, Inc. product remains solely with the purchaser.

PRODUCT CODER 04/20/16



FL POS 3 — POS 5 POS 6 **0 7** — POS 10 POS 11 **0 0 0 0 0 0 0 B**

POSITION 3 - SIZE/SERIES		
Body Size	Series "200"	Series "800"
	CODE	CODE
1/4"	1	J
1/2"	2	K
3/4"	3	L
1"	4	M
1 1/2"	—	N
2"	—	P

POSITION 5 - BODY MATERIAL & ACTION			
Series	Body Material	Trip Action	
		Type "S"	Type "V"
		CODE	CODE
"200"	SST	—	1
"800" *	SST	C	4

* Type "S" is standard.

POSITION 6 - LINK TEMPERATURE	
Fusible Link Actuation Temperature	CODE
STD - 212°F	1
165°F	2
280°F	3
360°F	4

POSITION 10 - END CONNECTIONS			
End Conn.	Applicable Sizes	Series	
		"200"	"800"
		CODE	CODE
NPT	1/4" - 1"	1	4
	1 1/2" - 2"	—	5
150# RF	1/2" - 2"	—	6
300# RF	1/2" - 2"	—	7

POSITION 11 - OPTIONS		
Description	Option	CODE
None	—	0
Special Cleaning: Per Cashco Spec #S-1542. For nonoxygen industrial gas service.	-56	N

Cashco, Inc.
 P.O. Box 6
 Ellsworth, KS 67439-0006
 PH (785) 472-4461
 Fax. # (785) 472-3539
 www.cashco.com
 email: sales@cashco.com
 Printed in U.S.A. FL-TB

Cashco GmbH
 Handwerkerstrasse 15
 15366 Hoppegarten, Germany
 PH +49 3342 30968 0
 Fax. No. +49 3342 30968 29
 www.cashco.com
 email: germany@cashco.com

Cashco do Brasil, Ltda.
 Al.Venus, 340
 Indaiatuba - Sao Paulo, Brazil
 PH +55 11 99677 7177
 Fax. No.
 www.cashco.com
 email: brazil@cashco.com