



Valve Concepts, Inc.  
ISO Registered Company

# Model 3300

## Vacuum Relief Vent End-of-Line

### SECTION I

#### I. 3000 SERIES DESIGN AND FUNCTION

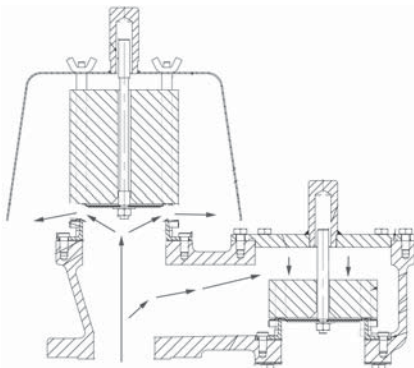
MODEL	P	V	DESCRIPTION
3100	P	V	Vent to Atmosphere
3200	P	V	Vent to Header
3300		V	Top Mounted
3400	P		Vent to Atmosphere
3500	P		Vent to Header
3600		V	Side Mounted
3700	P		Emergency/Manhole Cover

Models 3100 through 3600 Pressure and /or Vacuum Vents are used for the normal venting requirements. Normal venting is defined as venting required because of operational requirements (i.e. filling and emptying the tank) or atmospheric changes. Model 3700 Emergency Relief Vent is used to meet venting required when an abnormal condition, such as an external fire or such as ruptured internal heating coils, exist either outside or inside the tank.

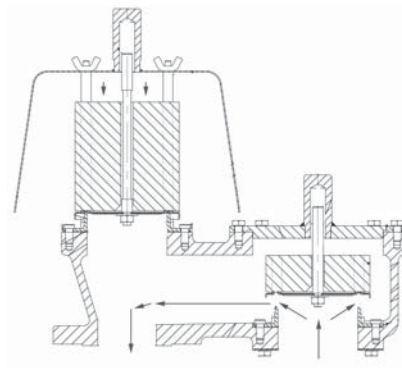
All of these devices are sized in accordance with API Standard 2000. Improperly specified relief vents may result in structural damage to the tank or system and can cause severe personal injury or death.

**Figure 1** illustrates the operation of the Pressure Relief Vent under overpressure conditions. As the tank pressure increases as a result of product being pumped into the tank and/or because of thermal expansion of the product and vapors, the pressure pallet remains closed until the set pressure of the vent is reached. When the tank pressure reaches the pressure setting of the vent, the pressure pallet lifts allowing the tank pressure to bleed off.

**Figure 2** illustrates the operation of the Vacuum Relief Vent under vacuum conditions. As the tank pressure decreases as a result of product being pumped out of the tank and/or because of thermal contraction of the product and vapors, the vacuum pallet remains closed until the set vacuum of the vent is reached. When the tank vacuum reaches the vacuum setting of the vent, the vacuum pallet lifts allowing air to be drawn into the tank.



**Figure 1 - Pressure Relief**



**Figure 2 - Vacuum Relief**

## SECTION II

### II. SAFETY WARNINGS

Tank or system protection is the primary function of the weight loaded Vacuum Relief Vent. It must be selected to meet the total pressure and vacuum flow requirements within the Maximum Allowable Working Pressure and Vacuum of the system on which it is installed. Consult API Standard 2000 for tank protection sizing procedures. Improperly specified relief vents may result in structural damage to the tank or system and can cause severe personal injury or death.

When Pipe-Away relief vents are used, backpressure in the header system will affect the set point of weight loaded vents by the amount of the header pressure. Maximum possible header pressure must be considered when sizing the pressure relief vent.



#### CAUTION

**DO NOT attempt to remove the vent from the tank or process vessel without first bleeding all pressure from the system. ALTERNATIVE MEANS OF VACUUM RELIEF MUST BE PROVIDED WHEN THE VENT IS OUT OF SERVICE.**



#### CAUTION

**DO NOT change vacuum setpoint by adding additional weights to the pallet assembly without consulting Cashco Inc. or your VCI representative.**

## SECTION III

### III. INSPECTION AND STORAGE

The vacuum relief vent is carefully packaged to prevent damage or contamination during shipping. Inspect the equipment when it is received and report any damage to the carrier immediately. The vent should be stored with all the protective flange covers

in place. Make sure that any loading weights that might have been shipped separately, to protect the vent during shipping, are accounted for and stored with the vent. These weights, when required, will be installed during installation. See Section IV.

## SECTION IV

### IV. INSTALLATION



#### WARNING

**The vent must be installed in a vertical position as shown in Figure 1. The tank nozzle on which the vent is mounted should have the same nominal diameter as the venting device. It is recommended that the tank nozzle flange face be within 1 degree of horizontal for best performance of the venting device.**

The 3000 Series Vents are designed to mate with a 150 lb. ASME flange. Torque guidelines are provided in Table 1. The Vents are **NOT** rated for full flange pressure and do not require high bolting torque.

Before installing any 3000 Series Vent, remove all packing materials from inside and outside the vent.

If loading weights were shipped separate from the vent, make sure to install the weights. Tighten cover dome cap screws to 15 ft.-lbs.

Inspect the gasket seating surface of the tank nozzle flange. It must be flat, clean, free of scratches, corrosion, and tool marks.

FRP and Aluminum vents are furnished with flat faced flanges. It is recommended that they be installed on mating flat face flanges with a full faced gasket. If the flat face of the vent is sealing against a raised face steel flange, a spacer or filler ring must be used to fill the annular space of the raised face steel flange.

Make sure the gasket is suitable for the application.

**WARNING**

Minimum clearance between tank roof and vacuum inlet port must be at least equal to the vents' nominal flange bore. Tank nozzle bore must be greater than or equal to vent inlet flange bore. Inlet and outlet piping loads must be supported by appropriate structural supports, NOT by the vent body.

Fiberglass flanges, 2 inch to 12 inch, require the use of a full-face 150 lb. gasket. For full face gaskets, we recommend the use of a 1/8-inch Gortex gasket.

Center the gasket within the bolt circle of the tank flange, align the bolt holes and carefully set the vent on the flange nozzle.

**NOTE:** At installation, the vent valve should be carefully lifted into position using the lifting brackets (2) on the body.

All stud threads must be lubricated to obtain proper torque results. A washer should be used under each stud nut.

Install the studs, washers and nuts and tighten nuts hand tight. Check proper alignment of flange faces. Misalignment of flange faces will cause bending stresses at the flange and flange joint and damage may result. Correct any misalignment prior to applying torque to nuts.

All nuts must be tightened in proper sequence and equal increments. Proceed through the tightening sequence until the recommended torque is attained.

Recheck the torque on each bolt in the same sequence, as bolts previously tightened may have relaxed through the torque sequence.

**TABLE 1**  
**All Torque Requirements Are Dependant On Gasket Material**  
**Bolt Torque and Stud Specifications - ASME #150 Flange Connections**

MOUNTING FLANGE	BOLT TORQUE - Ft. lbs.	NUMBER BOLTS TOTAL	STUD SPECIFICATIONS		
			THREAD UNC	STUD LENGTH *	QUANTITY *
2"	47	4	5/8" - 11	2.50"	2
3"		4	5/8" - 11	2.75"	2
4"		8	5/8" - 11	2.75"	4
6"	83	8	3/4" - 10	3.00"	4
8"		8	3/4" - 10	3.00"	4
10"	134	12	7/8" - 9	3.50"	6
12"		12	7/8" - 9	3.50"	6

**Bolt Torque and Stud Specifications for FRP Flanges Drilled to ASME #150 Flange Connections**

MOUNTING FLANGE	BOLT TORQUE - Ft. lbs.	NUMBER BOLTS TOTAL	STUD SPECIFICATIONS		
	FLAT FACE		THREAD UNC	STUD LENGTH *	QUANTITY *
2"	20	4	5/8" - 11	2.50"	2
3"	20	4	5/8" - 11	2.75"	2
4"	20	8	5/8" - 11	2.75"	4
6"	30	8	3/4" - 10	3.00"	4
8"	30	8	3/4" - 10	3.00"	4
10"	30	12	7/8" - 9	3.50"	6
12"	30	12	7/8" - 9	3.50"	6

\* Blind tapped holes only (Models 3100, 3200, and 3300). Use standard ASME stud length for other holes.

## SECTION V

### V. MAINTENANCE

Tank or system protection is the primary function of the weight loaded Vacuum Relief Vent. As a safety device, it is very important that maintenance/inspection be done on a regular interval. Maintenance should only be done by a qualified technician. Valve Concepts recommends that all service be performed at the factory or a factory authorized repair center. For information on repair centers in your area, please contact the factory.

**Maintenance procedures hereinafter are based upon removal of the relief vent unit from the tank where installed.**

Owner should refer to Owner's procedures for removal, handling and cleaning of non-reusable parts, i.e. gaskets, suitable solvents, etc.

**To Disassemble:** Remove cap screws (10) cover (8) and cover gasket (34.0).

Inspect cover for corrosion, damage, or foreign material. Clean with a suitable solvent, replace as necessary.

**NOTE:** During re-assembly, install new TFE tape / rope (34.0).

Remove pallet assembly, including any loading weights (21) that may be on the pallet (19).

Clean and inspect pallet assembly. Inspect the diaphragm (18) and replace if necessary.

**To Replace Diaphragm:** Secure stem assembly (23) in a soft-jawed vise with the short, threaded end up. Remove nut (14) and washer (24). Lift up to remove diaphragm retainer (17) and diaphragm (18). Clean stem assembly and diaphragm retainer with a suitable solvent, replace as necessary. **NOTE:** Before re-assembly, apply TFE paste to threads of the stem and around hole on the pallet (19).

Install new diaphragm (18). Re-install diaphragm retainer (17) and washer (24). Secure nut (14) tight on stem.

Inspect and clean seat ring (16). Check seat surface for any nicks, corrosion, pitting or product build up. Seat surfaces must be clean and smooth for diaphragm and pallet to seal properly.

**To Remove Seat Ring:** Make a match mark between the seat ring and the body. Rotate cap screws (15) CCW and remove. Remove guides (22). (Use the slot on top of guides and rotate CCW to remove). Mark the location of each guide on the seat ring (16) flange for reference at re-assembly.

Lift up to remove seat ring (16) and TFE tape / rope seal (34.1). Inspect guides (22) and inside of the body cavity (1) for any corrosion or foreign material. Clean all parts as necessary.

Place new seat ring TFE tape seal (34.1) in grooves in body (1). See Figure 7. Align match marks for seat ring (16) with body and re-position seat ring back in body, resting on tape seal.

Re-install pallet guides (22) around the seat rings as previously marked. Install cap screws (15) - apply 15 ft.-lbs. (20.3 Nm) torque to tighten. Place pallet stem assembly back into the body resting on seat ring (16).

Carefully install loading weights on the pallet stem assembly. Exercise care so as not to damage the pallet diaphragm and seat surface.

**NOTE:** When installing the cover, ensure the stem assembly (23) is inserted in the guide.

#### WARNING

**When assembling a vent, ensure that the stem is straight and fits into the guide in the cover.**

**If the stem is cocked at an angle, pallet lift may be completely blocked. This could result in an increase in vacuum pressure in the tank and cause a tank failure, severe personal injury and material damage.**

Place a new piece of TFE tape / rope seal (34.0) on the face of the body flange. See Figures 7. Place cover (8) over stem of pallet assembly, align bolt holes with the body (1) and install cap screws (10). Using a star crossing pattern, tighten nuts to 15 ft. lbs. (20.3 Nm).

**To Remove Flame Screen:** Rotate cap screws (42) CCW, remove cap screws and ring (41). Inspect and clean screen (40) and re-install to body (1). See Figure 8.

## SECTION VI

### VI. TEST PROCEDURE

**To Calculate Weight of Pallet Assembly:**

Table 2 shows the pallet weight per unit of pressure or vacuum setting. The total pallet assembly weight is determined by multiplying the desired set point (in the appropriate units) by the incremental weight per unit listed in Table 2.

For Example:

4" Model 3304 CS - if the desired setting is 5 oz/in<sup>2</sup>

Table 2 shows that for a 4" vent, the pallet would weigh 2.05 lb per oz/in<sup>2</sup>

So the pallet assembly for a 5 oz/in<sup>2</sup> setting would weigh: 2.05 lbs/oz/in<sup>2</sup> x 5.0 oz./in<sup>2</sup> = 10.25 lbs

Valve Concepts allows a deviation from this theoretical weight of ± 3.0%.

**To Determine Diaphragm/Seat Leakage:**

After both pallets' weight has been determined and verified for the required setting, reassemble the vent and mount on a Tank Vent Test Stand and slowly raise the pressure at the flow rate of 1.0 SCFH.

**ACCEPTANCE CRITERIA:**

The pressure gauge shall maintain a pressure equal to or greater than 90% of set pressure for a one minute period while the specified flow rate is maintained. Note: Valve Concepts acceptance criteria exceed the requirements of API. API 2521 states that if the rate of leakage does not exceed ½ SCFH for 6 inch size and smaller, or 5 SCFH for 8 inch and larger, at 75% of set point, then a vent is considered satisfactory for all practical purposes.

If the vent fails to meet the 90% criteria, it must be disassembled and the seat, pallet, and or diaphragms repaired or replaced.

A test report should be completed for each vent. The report should indicate the total pallet weight and the pressure achieved at the Test Flow Rate for both pressure and vacuum. Other general information such as serial number, model number, material of construction, set pressure and vacuum, etc. should be included in the report.

The test report should be kept with the Valve Maintenance Records.

**TABLE 2  
Nominal Pallet Assembly Weight Per Unit of Pressure lbs. (kg)**

SET Point Units	VALVE SIZE							
	2" VTA	2" PV	3"	4"	6"	8"	10"	12"
	Lb (kg)	Lb (kg)	Lb (kg)	Lb (kg)	Lb (kg)	Lb (kg)	Lb (kg)	Lb (kg)
1.0 oz/in <sup>2</sup>	0.25 (0.11)	0.55 (0.25)	0.93 (0.42)	2.05 (0.93)	3.50 (1.59)	5.45 (2.47)	7.71 (3.50)	9.17 (4.16)
1.0 in WC	0.15 (0.07)	0.32 (0.14)	0.54 (0.24)	1.18 (0.53)	2.03 (0.92)	3.15 (1.43)	4.46 (2.02)	5.30 (2.40)
1.0 mbar	0.13 (0.06)	0.13 (0.06)	0.22 (0.10)	0.48 (0.22)	0.81 (0.37)	1.26 (0.57)	1.79 (0.81)	2.13 (0.97)

**TABLE 3  
Maximum Setting in oz/in<sup>2</sup> Vs. Diaphragm mil**

Line Size	10 mil	20 mil	30 mil	40 mil
2" VTA	7.00	34.00	40.00	n/a
2" P/V	4.50	23.50	33.00	40.00
3" P/V	3.50	18.00	25.00	40.00
4" P/V	2.25	12.00	17.00	40.00
6" P/V	1.75	9.25	13.25	40.00
8" P/V	1.75	7.50	10.50	40.00
10" P/V	1.25	6.25	8.75	40.00
12" P/V	1.00	5.75	8.00	40.00

## SECTION VII

### VII. ORDERING INFORMATION

#### NEW REPLACEMENT UNIT vs PARTS "KIT" FOR FIELD REPAIR

To obtain a quotation or place an order, please retrieve the Serial Number and Product Code that was stamped on the metal name plate and attached to the unit. This information can also be found on the Bill of Material ("BOM"), a parts list that was provided when unit was originally shipped. (Serial Number typically 6 digits).

#### **NEW REPLACEMENT UNIT:**

Contact your local Cashco, Inc., Sales Representative with the Serial Number, Product code and the vacuum setting. With this information they can provide a quotation for a new unit including a complete description, price and availability.

#### **PARTS "KIT" for FIELD REPAIR:**

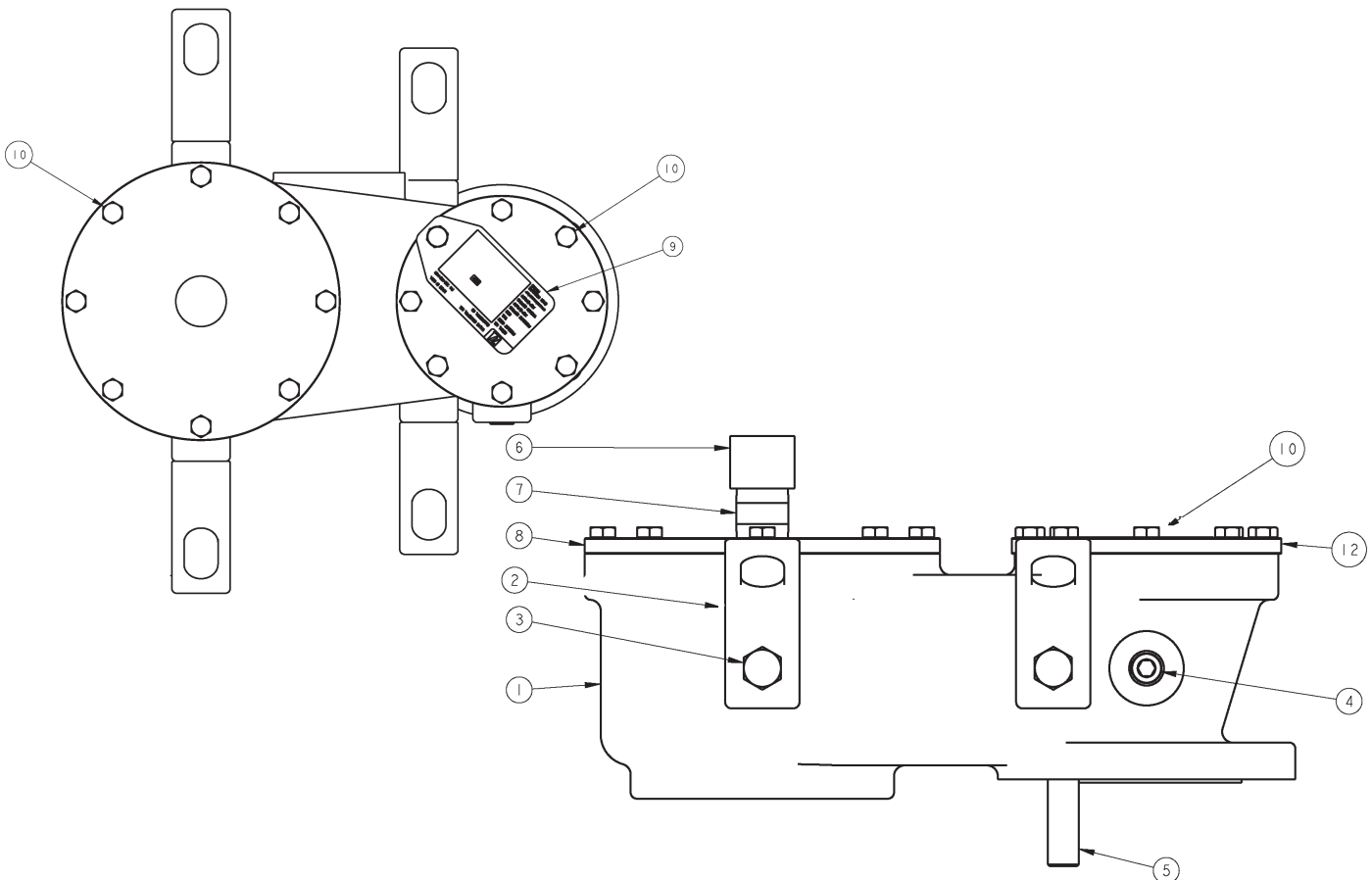
Contact your local Cashco, Inc., Sales Representative with the Serial Number and Product code. Identify the parts and the quantity required to repair the unit from the "BOM" sheet that was provided when unit was originally shipped.

**⚠ CAUTION**

**Do not attempt to alter the original construction of any unit without assistance and approval from the factory. All proposed changes will require a new name plate with appropriate ratings and new product code to accommodate the recommended part(s) changes.**

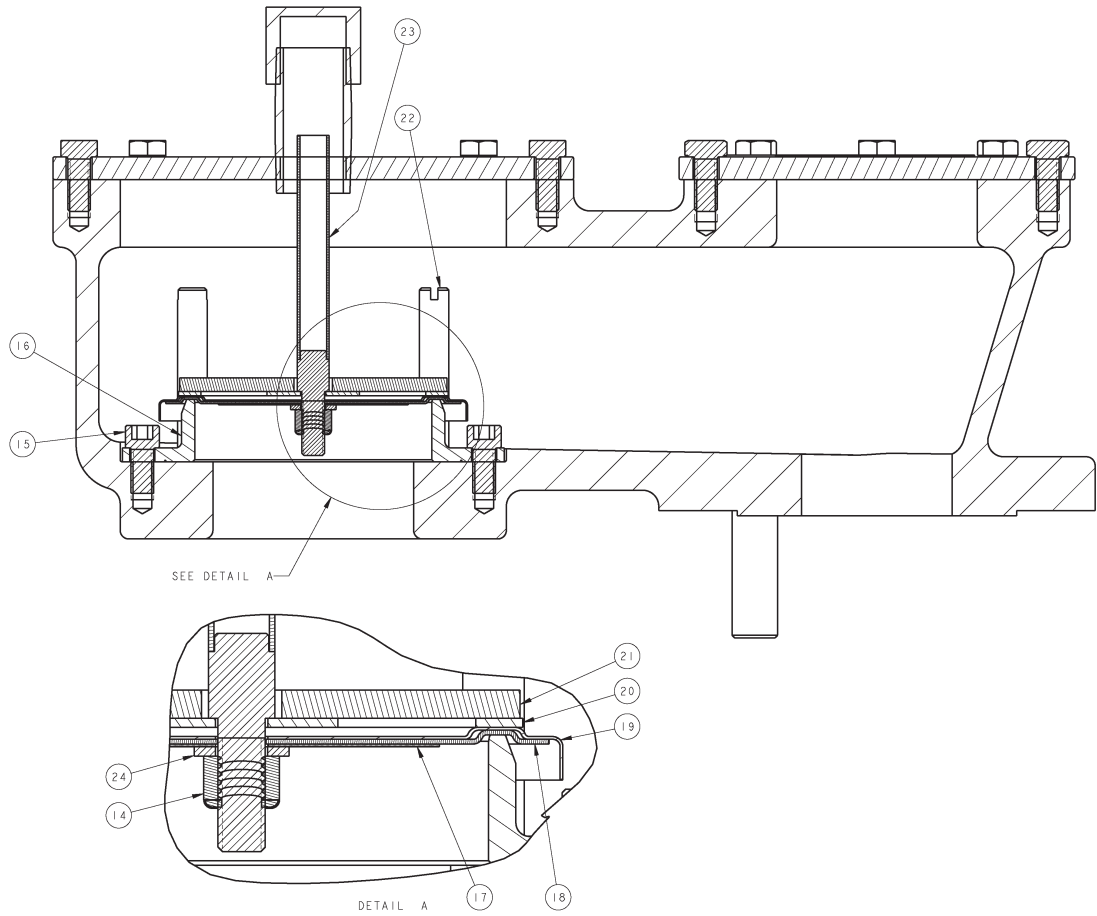
**NOTE:** If the "BOM" is not available, refer to the cross-sectional drawings included in this manual for part identification and selection.

A Local Sales Representative will provide quotation for appropriate Kit Number, Price and Availability.



**Figure 3 - View with Lifting brackets**

**Figure 4 - Standard Vent  
Aluminum, Carbon Steel, Stainless Steel**

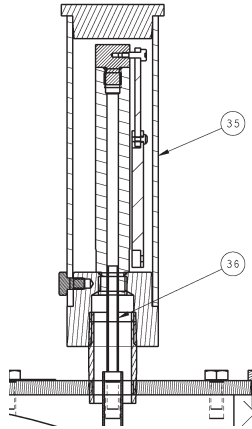


<u>ITEM NO.</u>	<u>DESCRIPTION</u>	<u>ITEM NO.</u>	<u>DESCRIPTION</u>
1	Body	15	Socket Cap Screw
2	Lift Brackets	16	Seat Ring
3	Cap Screws	17	Diaphragm Retainer
4	Plug	18	Pallet Diaphragm ‡
5	Studs	19	Pallet
6	Cap	20	Stiffener Plate
7	Nipple	21	Pallet Weights
8	Cover	22	Pallet Guide
9	Name Plate (Not Shown)	23	Stem Assy
10	Cap Screws	24	Washer
12	Pressure side cover	34	Joint Tape (Not Shown - See Figure 7) ‡
14	Lock Nuts *		

‡ Recommended Spare Part

\* Early Models included a lock washer, plain washer and a cotter pin.

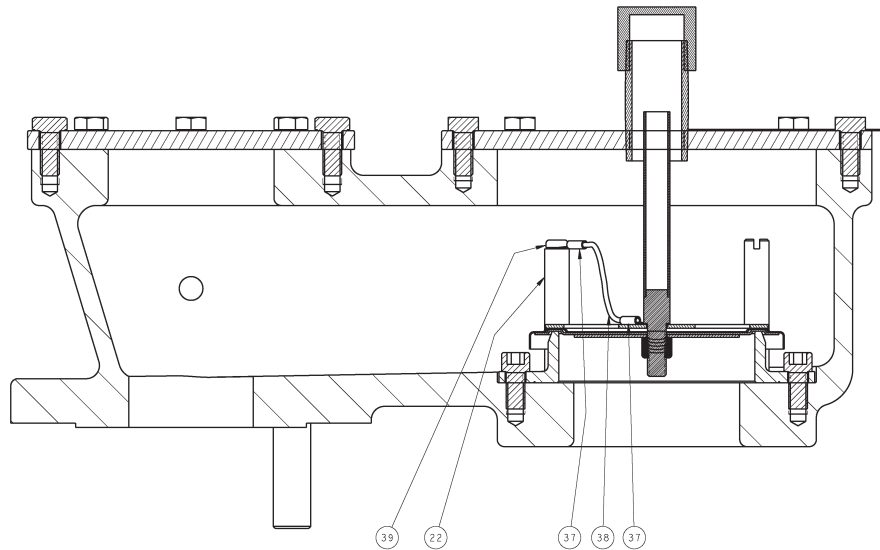
**Figure 5 - Indicator**



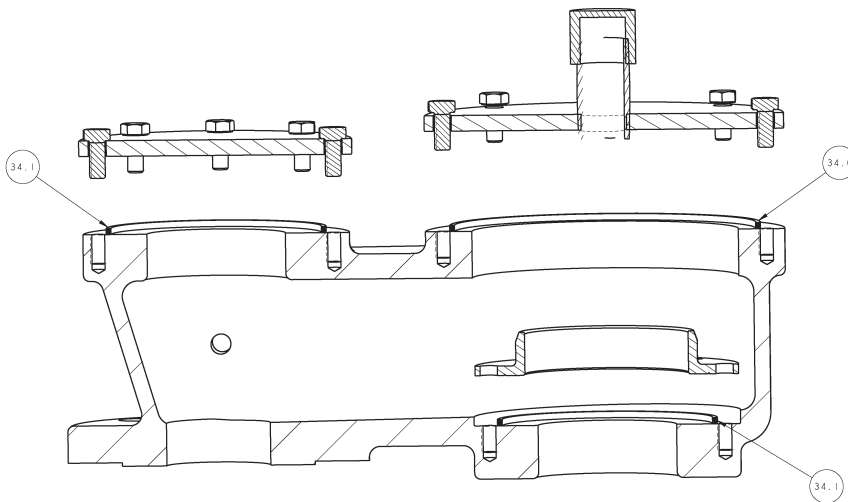
ITEM NO.	DESCRIPTION
35	Indicator Housing
36	Indicator

**Figure 6 - Atex Cable Connections**

ITEM NO.	DESCRIPTION
22	Pallet Guide - Vac
37	Cable Connector
38	Cable - ATEX
39	Cap Screw



**Figure 7 - Joint Tape Application**



**TFE TAPE LENGTH**

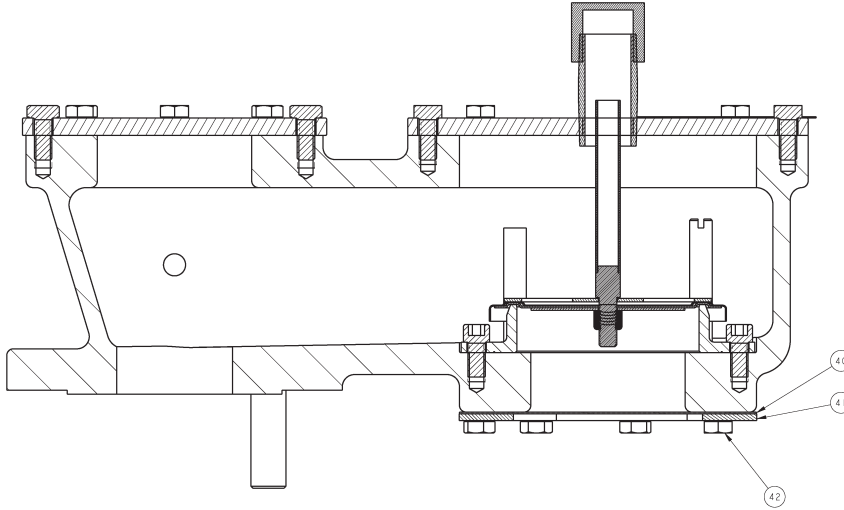
Size	Item 34.0	Item 34.1 *
2"	23"	17"
3"	25"	20"
4"	33"	28"
6"	38"	34"
8"	46"	41"
10"	56"	47"
12"	58"	51"

\* Quantity 2 per unit.

The contents of this publication are presented for informational purposes only, and while every effort has been made to ensure their accuracy, they are not to be construed as warranties or guarantees, express or implied, regarding the products or services described herein or their use or applicability. We reserve the right to modify or improve the designs or specifications of such product at any time without notice. Cashco, Inc. does not assume responsibility for the selection, use or maintenance of any product. Responsibility for proper selection, use and maintenance of any Cashco, Inc. product remains solely with the purchaser.



**Figure 8 - Bug / Flame Screen**



<b>ITEM NO.</b>	<b>DESCRIPTION</b>
40	Flame Screen
41	Flame Screen Ring
42	Cap Screws

Cashco, Inc.  
P.O. Box 6  
Ellsworth, KS 67439-0006  
PH (785) 472-4461  
Fax. # (785) 472-3539  
www.cashco.com  
email: sales@cashco.com  
Printed in U.S.A. 3300-IOM

Cashco GmbH  
Handwerkerstrasse 15  
15366 Hoppegarten, Germany  
PH +49 3342 30968 0  
Fax. No. +49 3342 30968 29  
www.cashco.com  
email: germany@cashco.com

Cashco do Brasil, Ltda.  
Al.Venus, 340  
Indaiatuba - Sao Paulo, Brazil  
PH +55 11 99677 7177  
Fax. No.  
www.cashco.com  
email: brazil@cashco.com