

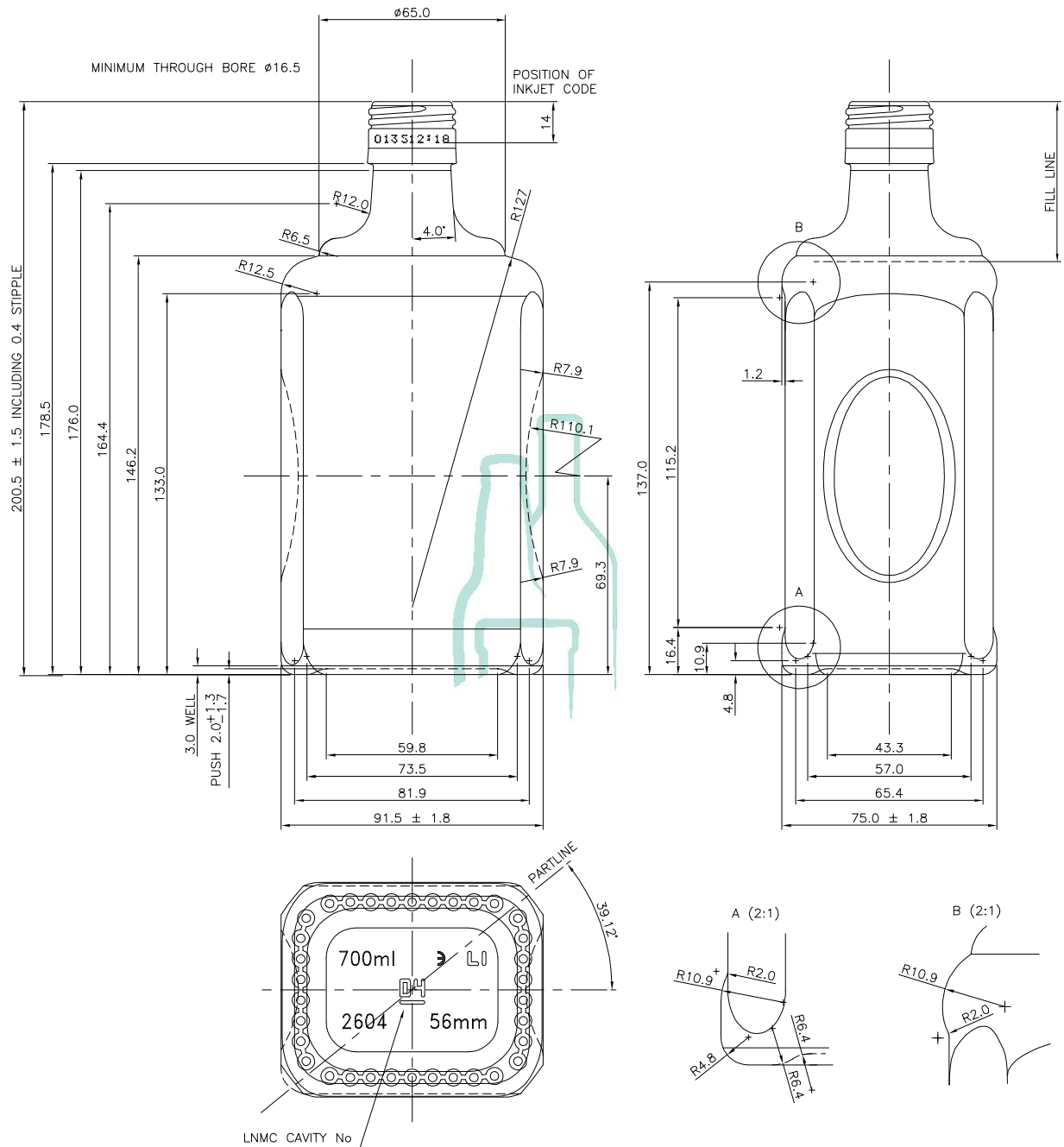


working with you

Alpha Place, Garth Road  
Morden, Surrey  
SM4 4LX England

(T): +44 208 337 2945  
(E): sales@croxsons.com  
[WWW.CROXSONS.COM](http://WWW.CROXSONS.COM)

Registered Office as above. Registered No: 71941



DESCRIPTION:	700ml Dimple Decanter		ITEM CODE:	Crag2604-2179	
COLOUR:	Flint		WEIGHT:	597g	
NOMINAL CAPACITY:	700ml	BRIMFULL CAPACITY:	728 ± 10ml	CLOSURE:	31.5x24/44 ROPP
HEIGHT:	200.5 ± 1.5mm	DIAMETER:	91.5 ± 1.8mm x 75 ± 1.8mm	FILL HEIGHT:	56mm
LABEL PANEL:	115.2mm	CARBONATION:	Nil	VACUITY:	28ml   4.0%
PALLET HEIGHT:	1.370m	PALLET WEIGHT:	663kg	UNITS PER PALLET:	1056 – 6 Layers
DRAWING CHECKED:	<i>[Signature]</i>	DATE CHECKED:	21.11.2011	DRAWING REF:	Crag2604-2179.03

All measurements are approximate unless tolerances stated then are in accordance with ISO9058:2008, E&OE excepted.  
Clients should run trials and check physical samples prior to any full scale production.

QF015 Iss 002 30/11/2010

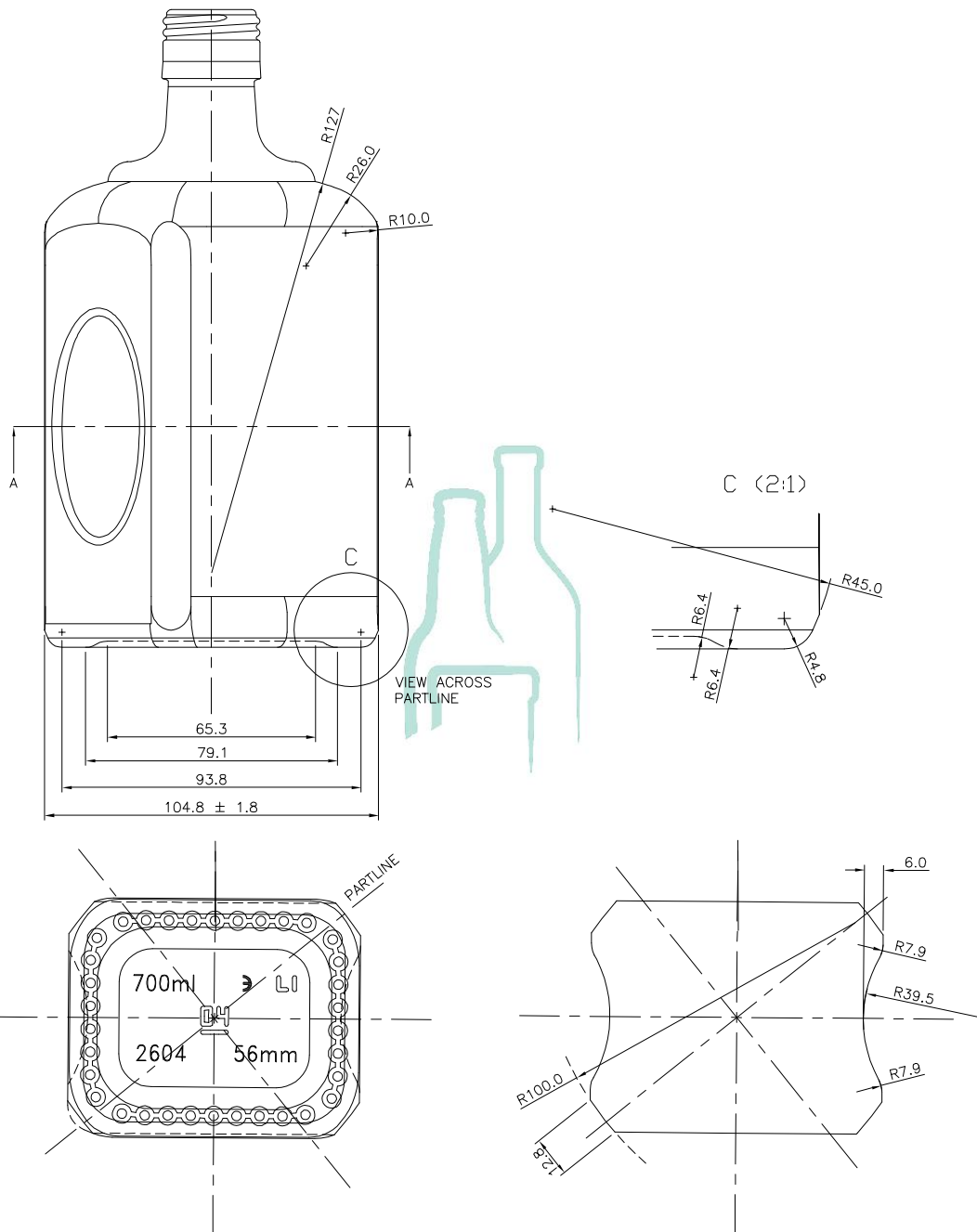


working with you

Alpha Place, Garth Road  
Morden, Surrey  
SM4 4LX England

(T): +44 208 337 2945  
(E): sales@croxsons.com  
[WWW.CROXSONS.COM](http://WWW.CROXSONS.COM)

Registered Office as above. Registered No: 71941



DESCRIPTION:	700ml Dimple Decanter		ITEM CODE:	Crag2604-2179	
COLOUR:	Flint		WEIGHT:	597g	
NOMINAL CAPACITY:	700ml	BRIMFULL CAPACITY:	728 ± 10ml	CLOSURE:	31.5x24/44 ROPP
HEIGHT:	200.5 ± 1.5mm	DIAMETER:	91.5 ± 1.8mm x 75 ± 1.8mm	FILL HEIGHT:	56mm
LABEL PANEL:	115.2mm	CARBONATION:	Nil	VACUITY:	28ml   4.0%
PALLET HEIGHT:	1.370m	PALLET WEIGHT:	663Kg	UNITS PER PALLET:	1056 – 6 Layers
DRAWING CHECKED:	<i>[Signature]</i>	DATE CHECKED:	21.11.2011	DRAWING REF:	Crag2604-2179.03

All measurements are approximate unless tolerances stated then are in accordance with ISO9058:2008, E&OE excepted.  
Clients should run trials and check physical samples prior to any full scale production.

QF015 Iss 002 30/11/2010