



ISO Registered Company

FUSIBLE LINK

Inline Thermal Check Valve

MODEL FL-200

REFERENCE DATA:

FL-200 Series Assembly Drawing No. A88-60200-00.

INSTALLATION:

1. Clean the piping of all foreign material including chips, welding scale, oil, grease and dirt before installing the thermal trip valve.
2. In placing thread sealant on pipe ends prior to engagement, ensure that excess material is removed and not allowed to enter the thermal trip valve upon startup.
3. Flow Direction: Install so the flow direction matches the flow arrow on the body of the thermal trip valve.

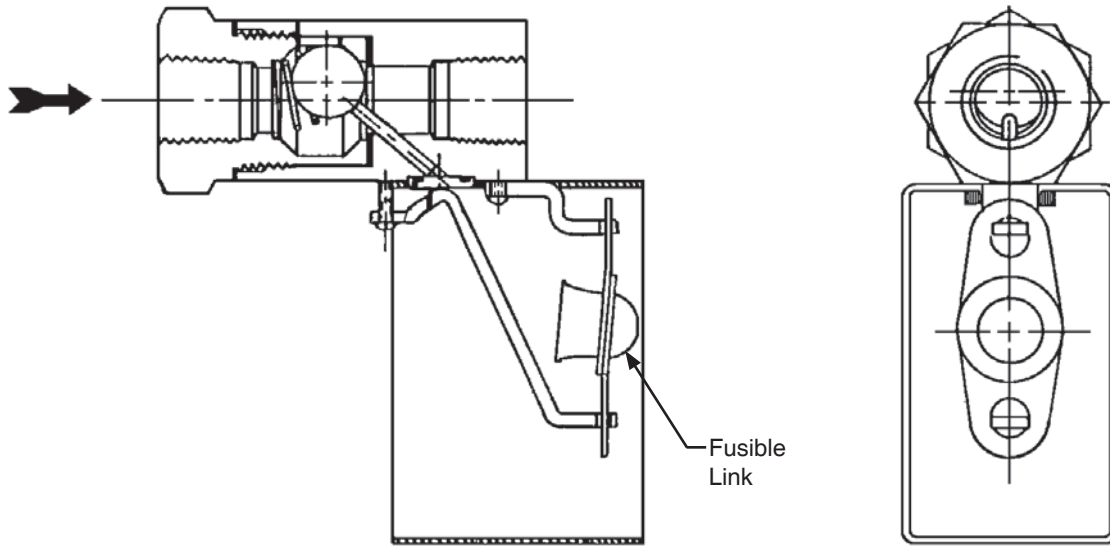
PRINCIPLE OF OPERATION:

1. When the valve is installed it is open.
2. This valve will stay open until it is actuated by the fusible link.
3. This will cause the valve to close.

MAINTENANCE:

1. All valves are leak tested at the factory at 200 PSIG and should be externally leak tight after installation. If after prolonged service the valve should leak externally, it is recommended that the valve be replaced or sent to the factory for rebuilding.

THERMAL CHECK VALVE FL-200 SERIES



NOTES:

1. Maximum pressure rating 130 psig (896 kPa) WOG.
2. No changes shall be made to parts, material or manufacturing process without prior approval by Factory Mutual Research Corporation.
3. All valves to be assembled, inspected and tested in strict accordance with Cashco Standard S-1549.
4. Link shown 17° out of position.

FUSIBLE LINK

Barstock Thermal Shutoff Valves

MODEL FL-800 S and V

REFERENCE DATA:

FL-800 Series Assembly Drawing No. A66-60800-00, A66-60800-01, A66-60800-02 & A66-60800-03.

INSTALLATION:

1. Clean the piping of all foreign material including chips, welding scale, oil, grease and dirt before installing the thermal trip valve.
2. In placing thread sealant on pipe ends prior to engagement, ensure that excess material is removed and not allowed to enter the thermal trip valve upon startup.
3. Flow Direction: Install so the flow direction matches the flow arrow on the body of the thermal trip valve.

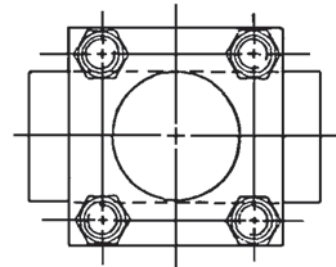
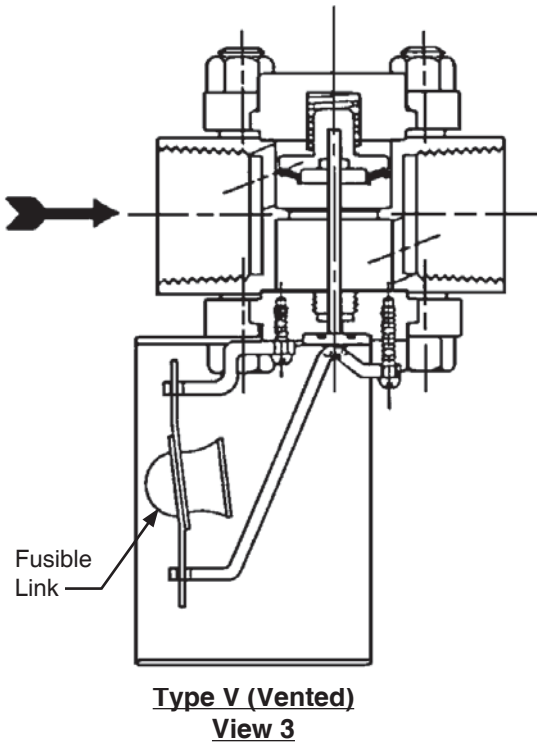
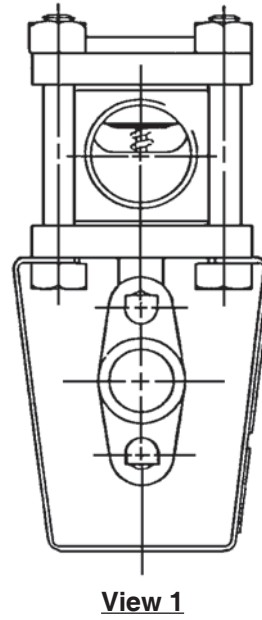
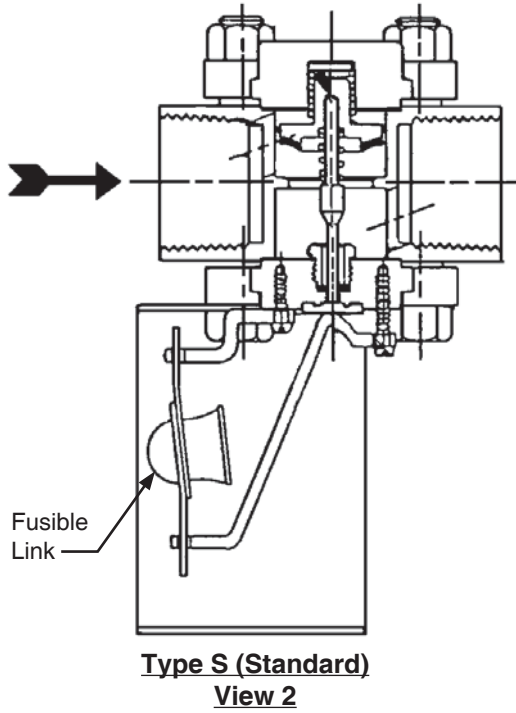
PRINCIPLE OF OPERATION:

1. When the valve is installed it is open.
2. This valve will stay open until it is actuated by the fusible link.
3. This will cause the valve to close.

MAINTENANCE:

1. All valves are leak tested at the factory at 450 psig and should be externally leak tight after installation. If after prolonged service the valve should leak externally, it is recommended the valve be replaced or sent to the factory for rebuilding.

**BARSTOCK THERMAL SHUT-OFF
VALVES FL-800 SERIES**



NOTES:

1. Maximum pressure rating 300 psig (2069 kPa) WOG.
2. Type S (Standard) Shut-off valve will not allow venting of downstream line after valve has actuated.
3. Type V (Vent) Shut-off valve will allow venting of downstream line.
4. No changes shall be made to parts, materials or manufacturing process without prior approval by Factory Mutual Research Corporation.
5. All valves to be assembled, inspected and tested in strict accordance with Cashco standard S-1668.

The contents of this publication are presented for informational purposes only, and while every effort has been made to ensure their accuracy, they are not to be construed as warranties or guarantees, express or implied, regarding the products or services described herein or their use or applicability. We reserve the right to modify or improve the designs or specifications of such product at any time without notice.
Cashco, Inc. does not assume responsibility for the selection, use or maintenance of any product. Responsibility for proper selection, use and maintenance of any Cashco, Inc. product remains solely with the purchaser.

Cashco, Inc.
P.O. Box 6
Ellsworth, KS 67439-0006
PH (785) 472-4461
Fax. # (785) 472-3539
www.cashco.com
email: sales@cashco.com
Printed in U.S.A. FL-IOM

Cashco GmbH
Handwerkerstrasse 15
15366 Hoppegarten, Germany
PH +49 3342 30968 0
Fax. No. +49 3342 30968 29
www.cashco.com
email: germany@cashco.com

Cashco do Brasil, Ltda.
Al.Venus, 340
Indaiatuba - Sao Paulo, Brazil
PH +55 11 99677 7177
Fax. No.
www.cashco.com
email: brazil@cashco.com