

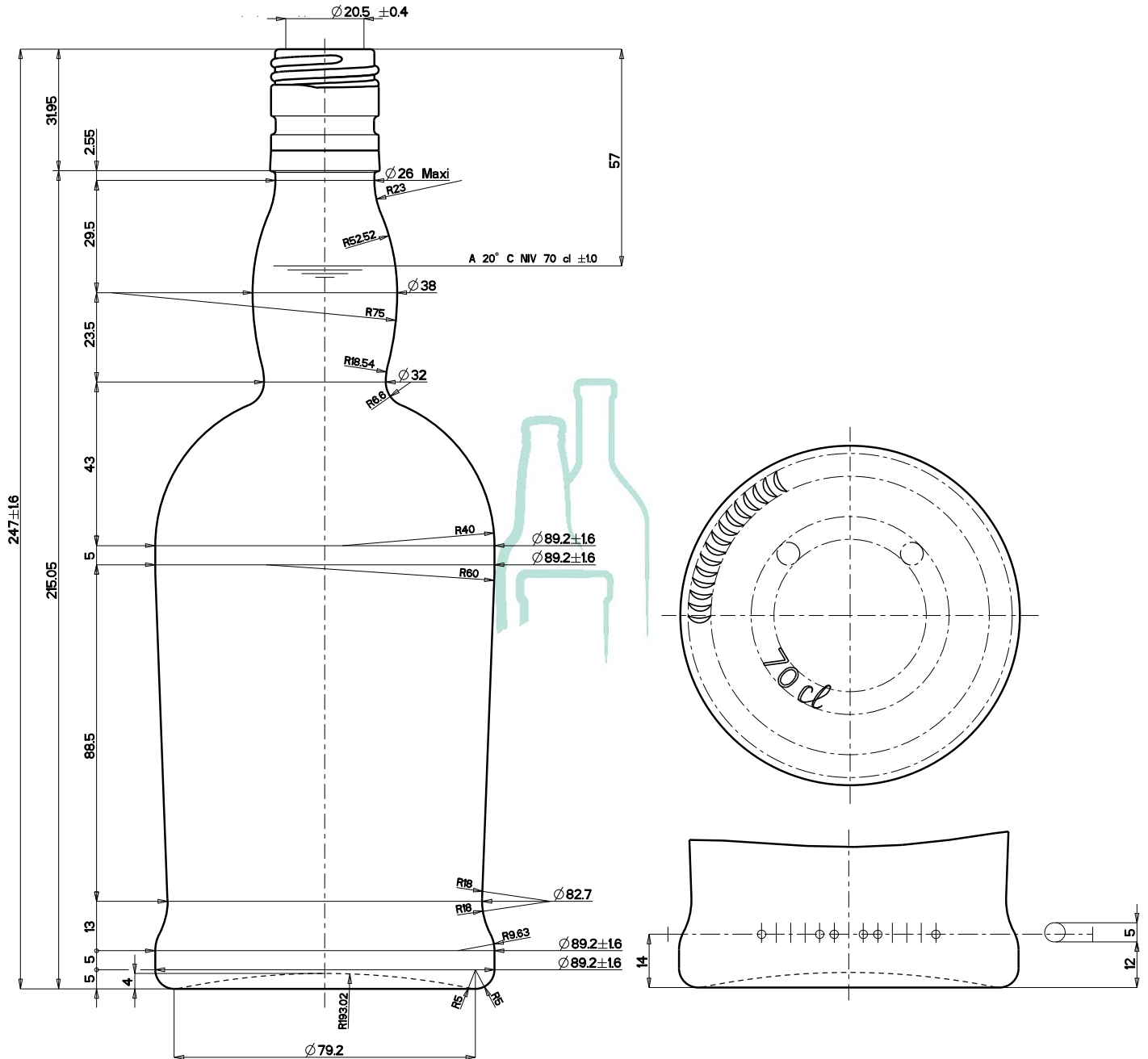


working with you

Alpha Place, Garth Road  
Morden, Surrey  
SM4 4LX England

(T): +44 208 337 2945  
(E): sales@croxsons.com  
**WWW.CROXSONS.COM**

Registered Office as above. Registered No: 71941



DESCRIPTION:	700ml Valley Spirit BVP		ITEM CODE:	CRSG8005933	
COLOUR:	Flint		WEIGHT:	470g	
NOMINAL CAPACITY:	700ml	BRIMFULL CAPACITY:	722 ± 10ml	CLOSURE:	BVP
HEIGHT:	247 ± 1.6mm	DIAMETER:	89.2 ± 1.6mm	FILL HEIGHT:	57mm
LABEL PANEL:	88.5mm	CARBONATION:	Nil	VACUITY:	ml   %
PALLET HEIGHT:	1.883m	PALLET WEIGHT:	547kg	UNITS PER PALLET:	1078 – 7 Layers
DRAWING CHECKED:	<i>MS</i>	DATE CHECKED:	15-Jul-13	DRAWING REF:	1794 M

All measurements are approximate unless tolerances stated then are in accordance with ISO9058:2008, E&OE excepted.  
Clients should run trials and check physical samples prior to any full scale production.

QF015 Iss 002 30/11/2010