

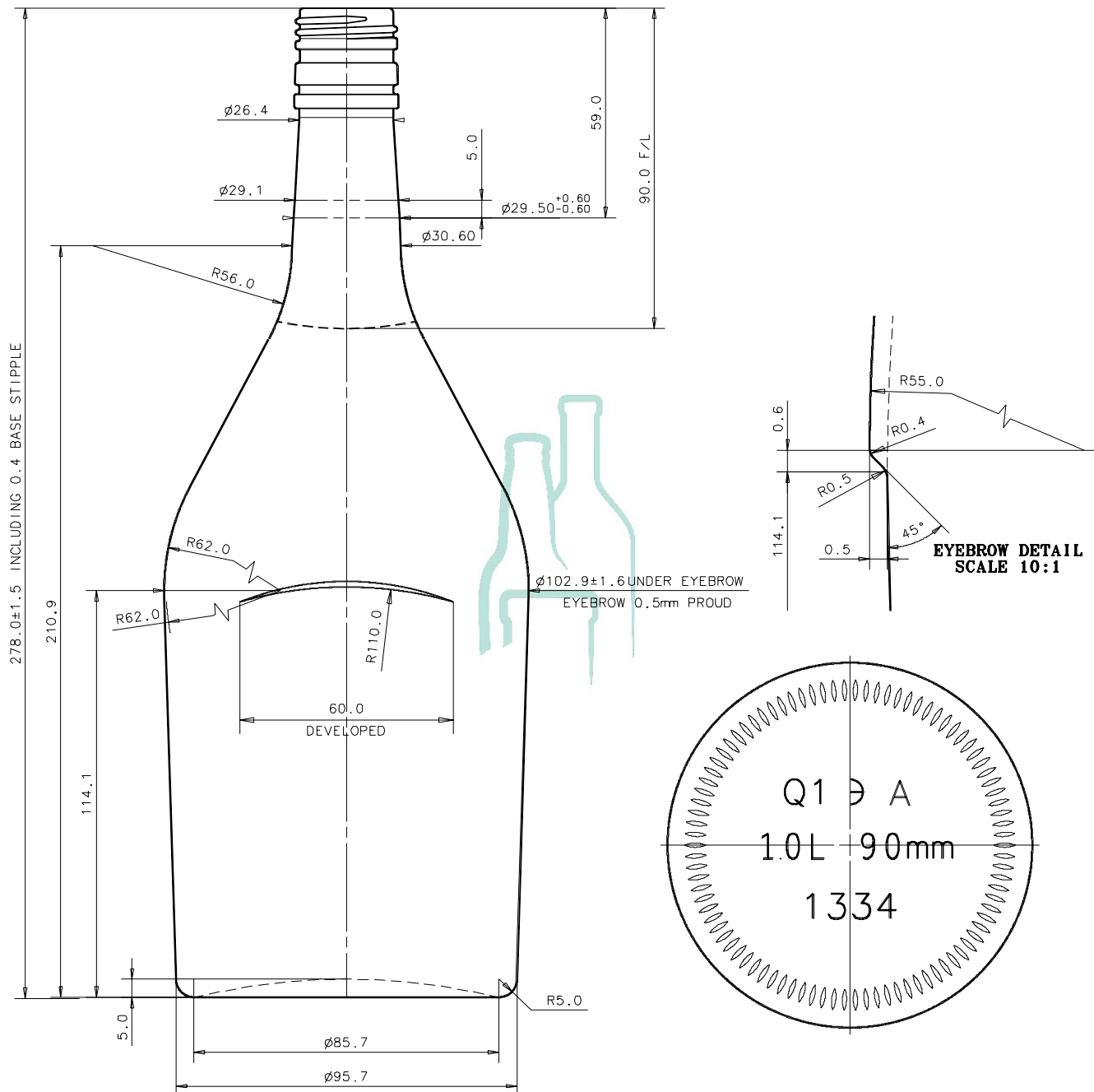


working with you

Alpha Place, Garth Road
Morden, Surrey
SM4 4LX England

(T): +44 208 337 2945
(E): sales@croxsons.com
WWW.CROXSONS.COM

Registered Office as above. Registered No: 71941



DESCRIPTION:	1 Litre Dark Amber Cream Liqueur		ITEM CODE:	CRQU1334	
COLOUR:	Dark Amber		WEIGHT:	680g	
NOMINAL CAPACITY:	1000ml	BRIMFULL CAPACITY:	1028 ± 10ml	CLOSURE:	30x60 Stelcap 2-Start
HEIGHT:	278 ± 1.5mm	DIAMETER:	95.7mm	FILL HEIGHT:	90mm
LABEL PANEL:	141.1mm	CARBONATION:	0 bar	VACUITY:	28ml
PALLET HEIGHT:	1.200m	PALLET WEIGHT:	365kg	UNITS PER PALLET:	484
DRAWING CHECKED:		DATE CHECKED:	4-Feb-14	DRAWING REF:	1334