

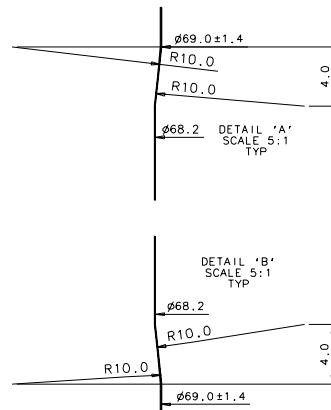
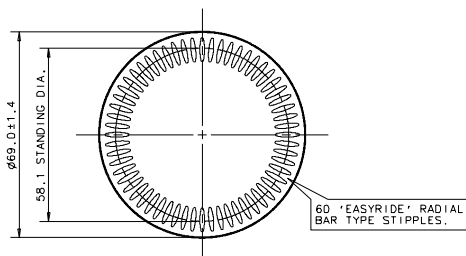
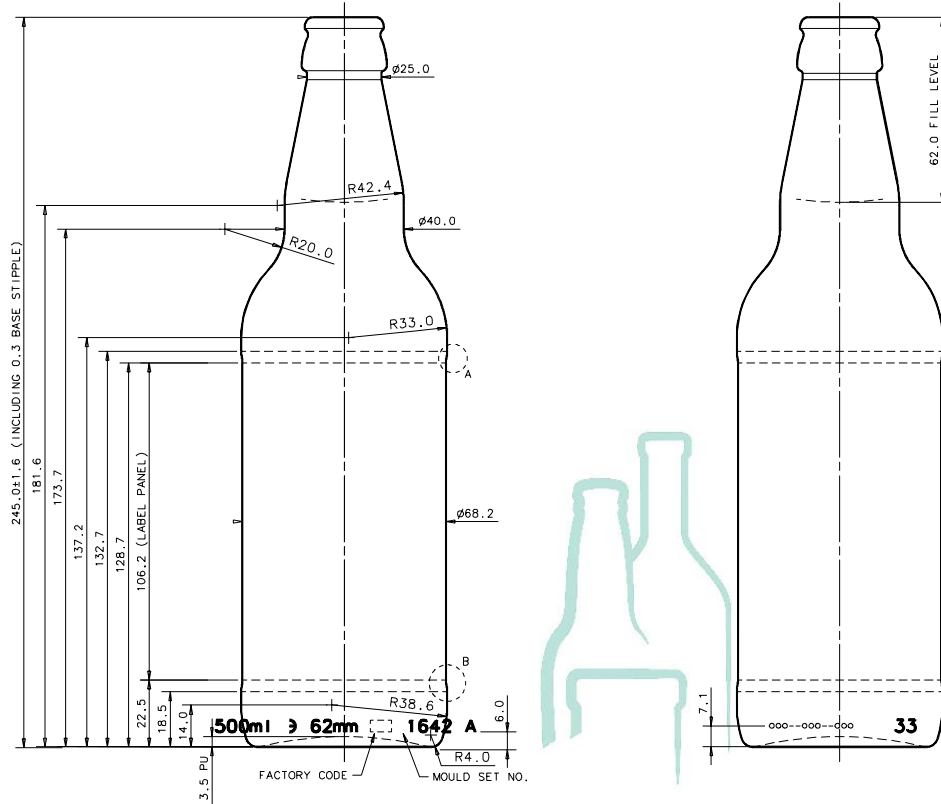


working with you

Alpha Place, Garth Road  
Morden, Surrey  
SM4 4LX England

(T): +44 208 337 2945  
(E): sales@croxsons.com  
**WWW.CROXSONS.COM**

Registered Office as above. Registered No: 71941



DESCRIPTION:	<b>500ml Lightweight JAC Beer Bottle</b>			ITEM CODE:	CRQU1642
COLOUR:	Flint / Amber			WEIGHT:	300g
NOMINAL CAPACITY:	500ml	BRIMFULL CAPACITY:	530.4 ± 10ml	CLOSURE:	Standard Crown
HEIGHT:	246.0 ± 1.6mm	DIAMETER:	69.0 ± 1.4mm	FILL HEIGHT:	62mm
LABEL PANEL:	106.2mm	CARBONATION:	3.0 bar	VACUITY:	6.1%
PALLET HEIGHT:	1.390m	PALLET WEIGHT:	433kg	UNITS PER PALLET:	1320
DRAWING CHECKED:	<i>Jim Croxson</i>	DATE CHECKED:	14/12/2010	DRAWING REF:	CRQU1642.01