



ISO Registered Company



Model P7

High Flow High Sensitivity Pressure Reducing Regulator 1/2"-3/4" (DN15-DN20) NPT

The Model P7 is designed to safely reduce inlet pressures of up to 4500 psig (310.0 Barg)* and accurately deliver high gas flows throughout the 10-1500 psig (.69-103.4 Barg) outlet pressure range. Designed for control of high and low pressure gases, this self-venting unit can also be furnished as a non-venting regulator for hydraulic applications.

TYPICAL APPLICATIONS

The P7 can be applied for hyperbaric chambers, air compressors, pressurized ballast tanks, high pressure testing, life support applications, manifold systems, tube trailers, and gas transfer stations.

FEATURES

- Large Piston Sensor Gives Excellent Sensitivity
- Balanced Stem Design Assuring Constant Downstream Pressure
- Low Operating Torque
- Self-Relieving (Spring Loaded Design)
- Material Traceability on Wetted Parts
- Anti-Resonance Design

FUNCTIONAL PERFORMANCE

Design Proof	
Pressure:	150% Max Operating Pressure
Brass	5,625 psig (387.93 Barg)
Stainless Steel	6,750 psig (465.52 Barg)

Internal Volume: 1.77 in³ (29 cm³)

Design Leakage: Bubble Tight

GENERAL SPECIFICATIONS

Inlet & Outlet
Port Size: 1/2" and 3/4" (DN15 and DN20)

Cv Capability: 2 Cv

* Maximum Inlet Pressure:

Brass	3,750 psig (258.6 Barg)
Stainless	4,500 psig (310.3 Barg)

NOTE These pressure ratings may be further derated by limitations thru the Pressure Equipment Directive (97/23/EC-May '97). See Table 1.

Outlet Pressure: 10-1500 psig (.69-103.4 Barg)
See table 7 for Spring Ranges.

Body End Connections: FNPT in Brass or SST, 300#, 600#, 1500#RF
Flanges in SST.

Body and Spring Chamber Material: 316L SST/316L SST -ASTM A479
Brass/Brass - ASTM B16

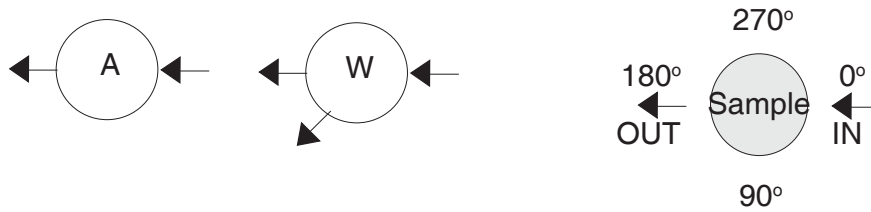
Wetted Material: See Position 6

Operating Temp. Range: -15 to 165°F (-25.0 to 75° C)

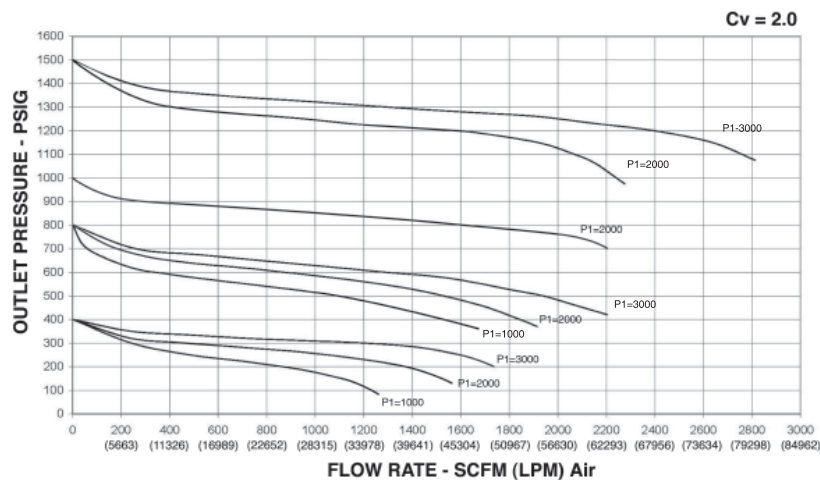
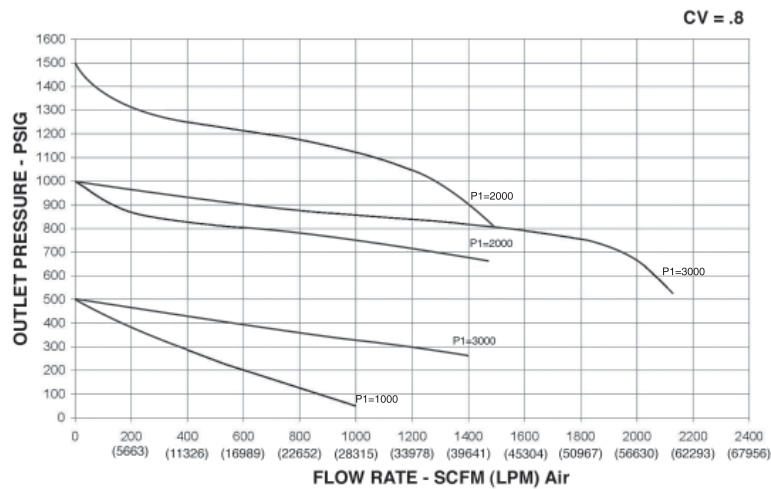
TABLE 1 Design Pressure -Temperature - End Conn Rating PSIG (Barg)			
Temperature Range	Flange End Connection		
Deg °F (° C)	300#	600#	1500#
-15 to +100 (-25 to +38)	720 (49.6)	1440 (99.2)	3600 (248.2)
+165 (+75°)	655 (45.1)	1310 (90.3)	3270 (225.4)

NOTE: Design Pressure Rating shall not exceed 375 psig (25.8 Barg) when body material is SST and process medium is oxygen.

PORTING CONFIGURATION GUIDE



HIGH FLOW / HIGH PRESSURE FLOW CHARTS



OPTIONS

NACE Construction - (5, 6, 7 or 8) in Position 6. - Internal wetted portions meet NACE standard MR0175, when the exterior of the regulator is not directly exposed to a sour gas environment, buried, insulated or otherwise denied direct atmospheric exposure. SST/SST body/spring chamber materials only. Inconel w/TFE liner, Inconel X-750 spring. Includes Non-Relieving Construction code 6.

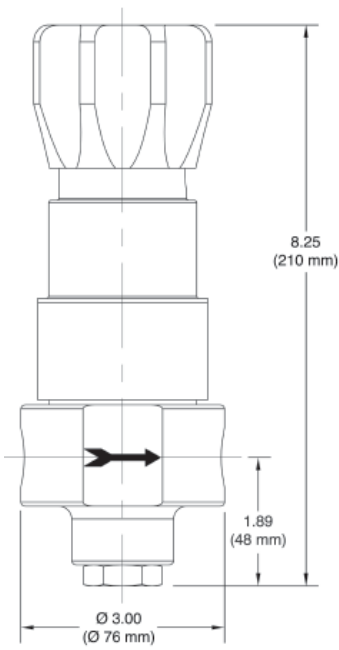
Panel Mount - (C) in Position 14. -The panel mount feature requires a panel cut out of 1–3/8”, complete with a threaded spring housing, and a panel mount ring to secure the regulator.

Non-Relieving Construction - Spring Loaded Design - (6) in Position 16. - The poppet, poppet spring and seat are removed from the top works of the spring chamber.

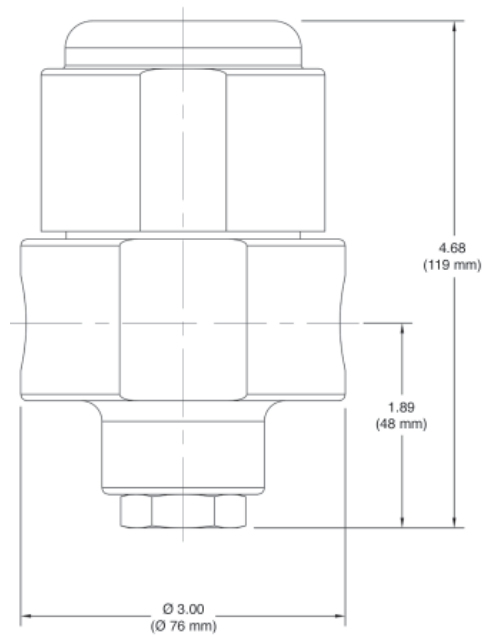
Cleaned for Oxygen Service #S-1134 - (M) in Position 17. -This is a requirement for gaseous oxygen environments. All regulators requiring advanced cleaning shall be processed according to strict guidelines. **NOTE:** Design Pressure Rating shall not exceed 375 psig (25.8 Barg) when body material is SST and process medium is oxygen.

Cleaned per Spec. #S-1542 - (N) in Position 17. - Cleaning identical to that of #S-1134, but not labeled for application in oxygen service. NOT suitable for Oxygen Service.

DIMENSIONS - in (mm)

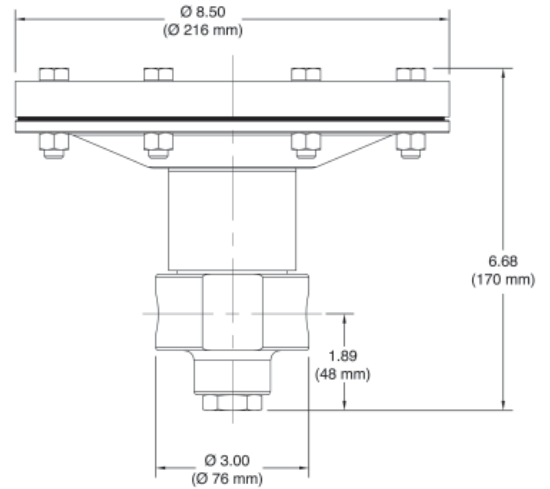


Spring Loaded

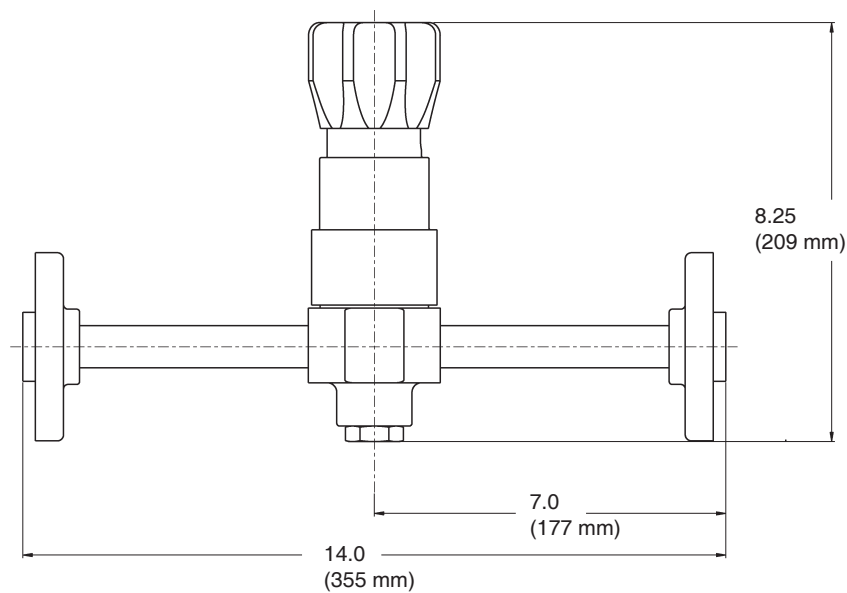


Dome Loaded

Approx. Weight
 Spring Loaded - NPT: 7.50 lbs (3.40 kgs)
 -W / flanges: upwards to 26 lbs. (11.8 kgs)



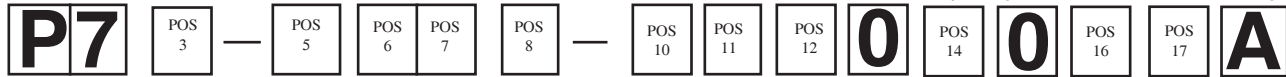
Ratio Loaded



The contents of this publication are presented for informational purposes only, and while every effort has been made to ensure their accuracy, they are not to be construed as warranties or guarantees, express or implied, regarding the products or services described herein or their use or applicability. We reserve the right to modify or improve the designs or specifications of such product at any time without notice. Cashco, Inc. does not assume responsibility for the selection, use or maintenance of any product. Responsibility for proper selection, use and maintenance of any Cashco, Inc. product remains solely with the purchaser.

MODEL P7 PRODUCT CODER 02/10/16 (COMPOSITE BLACK KNOB STANDARD)

An "X" in POS 12 followed by a 5-digit control number overrides remaining selections.



POSITION 3 - BODY SIZE/Cv		
Size	Cv	CODE
1/2" (DN15)	0.8	2
	2.0	3
3/4" (DN20)	0.8	5
	2.0	6

POSITION 5 - BODY/SPRING CHAMBER	
Body/Spring Chamber Mat'l.	CODE
316L SST/316L SST *	S
Brass/Brass	B

* Select for NACE Construction

POSITION 6 - SEAT MATERIALS				
Outlet	Main Valve	Vent Valve	Std	NACE
			CODE	CODE
300 Psig (20.7 Barg)	TFE	CTFE	1	5
600 Psig (41.4 Barg)	TFE	CTFE	2	6
1000 Psig (69.0 Barg)	TFE	CTFE	3	7
1500 Psig (103.0 Barg)	TFE	CTFE	4	8

POSITION 7 - PORTING CONFIGURATION	
Description	CODE
See Porting Guide	**** A
	** W

If specifying gauges from Position 12 review asterisks as follows:

NOTE: ** Outlet gauge port only
**** No gauge ports available

POSITION 8 - Product Classification Under European "Pressure Equipment Directive"		
PRODUCT DESTINATION	HAZARD CATEGORY	CODE
Anywhere except Europe	N/A	7
European Countries *	Sound Engineering Practice (SEP)	S

* For products to be placed in service in Europe - Ref to Directive 97/23/EC. Contact Cashco for Assistance.

POSITION 10 - END CONNECTIONS	
End Connection(s)	CODE
FNPT	1
300 # RF Flange *	7
600 # RF Flange *	8
1500 # RF Flange *	A

* Not available on Brass body material.

POSITION 11 - RANGE SPRING/OUTLET PRESSURE	
Psig (Barg)	CODE
Ratio Loaded 19 : 1	A
Pneumatic Dome Loaded 10 - 1500 (0.69 - 103.0)	0
10 - 300 (.69 - 20.7)	2
15 - 600 (1.0 - 41.3)	3
20 - 1000 (1.4 - 69.0)	5
50 - 1500 (3.4 - 103.4)	6

POSITION 12 - OUTLET GAUGE (See "NOTE" - Position 7)	
Psig (Barg)	CODE
0 - 100 (0 - 6.9)	D
0 - 160 (0 - 11.0)	E
0 - 300 (0 - 20.7)	F
0 - 600 (0 - 41.3)	G
0 - 1000 (0 - 69.0)	H
0 - 2000 (0 - 138.0)	J
No Outlet Gauge	0
For Special Construction Contact Cashco for Special Product Code	X

POSITION 14 - OPTIONS			
OPTIONS	CODE	OPTIONS	CODE
No Option	0	Panel Mount.	C

POSITION 16 - OPTIONS			
OPTIONS	CODE	OPTIONS	CODE
No Option	0	Non-Relieving Construction for Spring Loaded Design.	6

POSITION 17 - OPTIONS			
OPTIONS	CODE	OPTIONS	CODE
No Option	0	Oxygen Cleaned per Spec #S-1134.	M
		* Special Cleaning Per Spec #S-1542.	N

* NOT suitable for Oxygen Service.

Cashco, Inc.
P.O. Box 6
Ellsworth, KS 67439-0006
PH (785) 472-4461
Fax. # (785) 472-3539
www.cashco.com
email: sales@cashco.com
Printed in U.S.A. P7-TB

Cashco GmbH
Handwerkerstrasse 15
15366 Hoppegarten, Germany
PH +49 3342 30968 0
Fax. No. +49 3342 30968 29
www.cashco.com
email: germany@cashco.com

Cashco do Brasil, Ltda.
Al.Venus, 340
Indaiatuba - Sao Paulo, Brazil
PH +55 11 99677 7177
Fax. No.
www.cashco.com
email: brazil@cashco.com