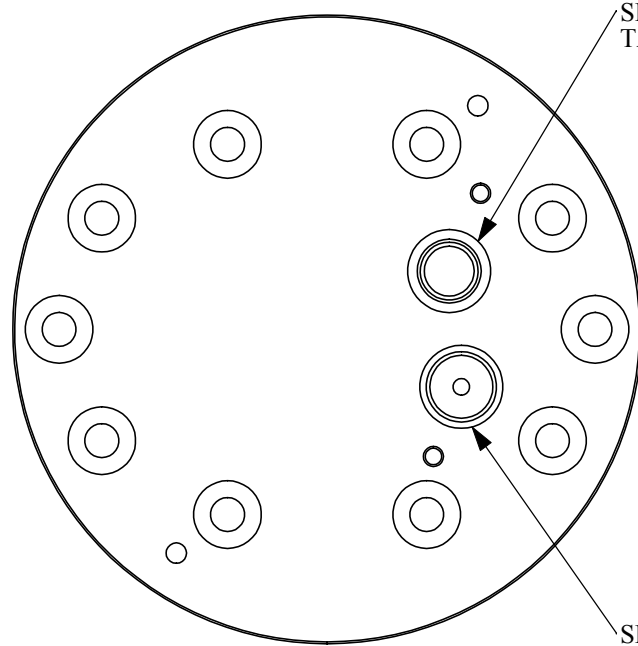


INSTALLATION OF SW-JV60-G1 SWIVEL FITTING

TOP VIEW
JVx-60xG



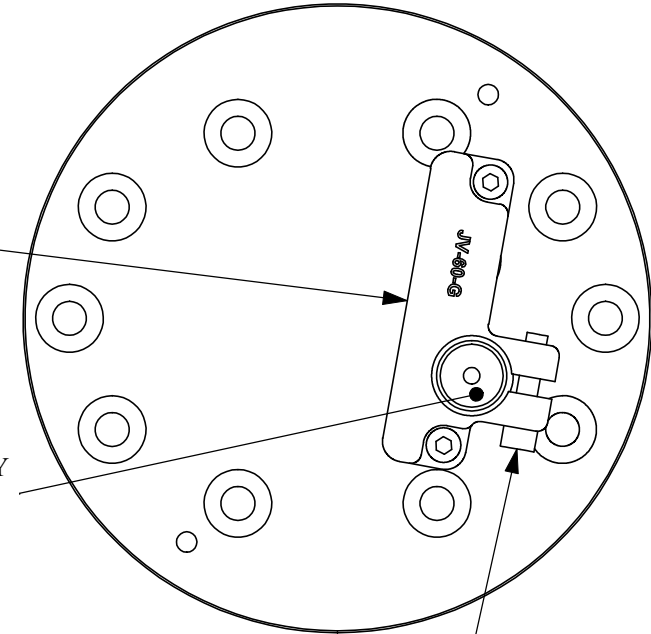
SENSOR HOLE WITH
TAPERED BOTTOM

SENSOR HOLE WITH
FLAT BOTTOM

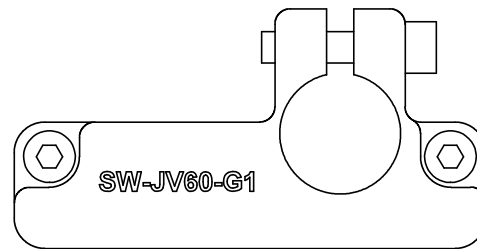
ORIENTATE AS SHOWN

INSTALL SENSOR
IN FLAT-BOTTOMED
SENSOR HOLE. MAKE
SURE IT IS COMPLETELY
SEATED.

TOP VIEW
JVx-60xG



TIGHTEN CLAMP
SCREW UNTIL SENSOR UNIT
IS SECURE.



SW-JV60-G1
CLAMP FITTING

REVISION	DESCRIPTION	DATE	BY
B	Added Screws To Drawing	08/31/07	SH

AW COMPANY USE ONLY

THIS PRINT, INCLUDING THE INFORMATION CONTAINED IN IT IS THE PROPERTY OF AW COMPANY. IT IS CONSIDERED PROPRIETARY IN NATURE AND MAY NOT BE USED OR DISCLOSED OUTSIDE OF AW COMPANY, EXCEPT UNDER PRIOR WRITTEN AGREEMENT. ANY MODIFICATIONS MADE TO OR COMMENTS WRITTEN ON THIS DRAWING BY UNAUTHORIZED PERSONNEL WILL VOID THIS DRAWING. ALL DIMENSIONS SHOWN ARE SUBJECT TO CHANGE WITOUT NOTICE.

TOLERANCES UNLESS NOTED ENGLISH

.XXXX +/- .0005
.XXX +/- .001
.XX +/- .01

FRAC. +/- 1/64
ANG. +/- 0.1 DEG
SURFACE FINISH: 64 MAX

PROJECT NAME: INSTALLATION GUIDE SW-JV60-G1	
PART DESCRIPTION: SW-JV60-G1	
MATERIAL: NA	
FINISH: NA	
HARDENING: NA	
DRAWING NUMBER: SW-JV60-G1	REV: B
PART NUMBER: SW-JV60-G1	DATE: 08/31/07
DRAWN BY: S. HONSBERGER	
PAGE: 1 OF 2	SCALE: 1:1.5



AW-LAKE COMPANY
A TASI GROUP COMPANY

8809 INDUSTRIAL DR.
FRANKSVILLE, WI
53126
TEL. # (262) 884-9800
FAX. # (262) 884-9810