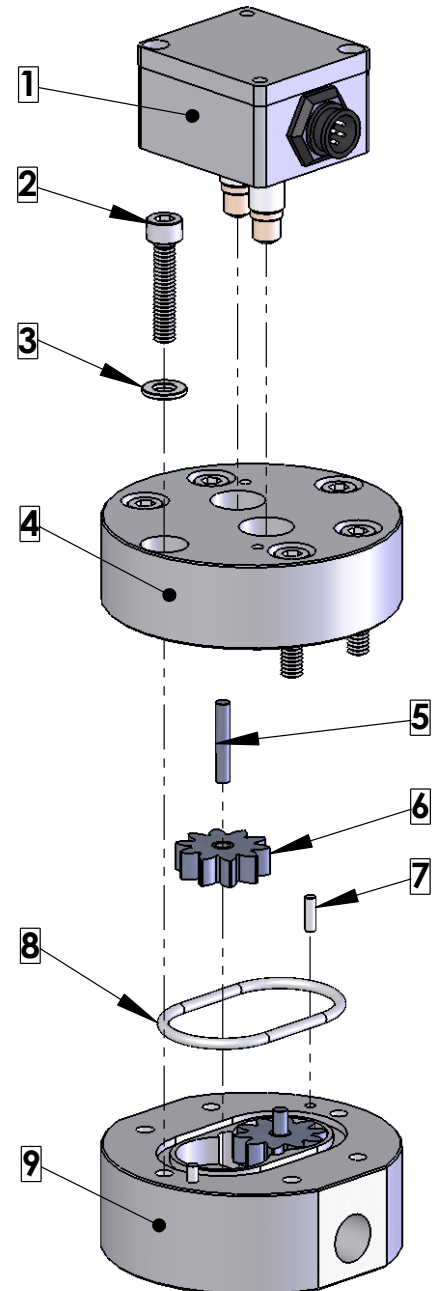


MAINTENANCE GUIDE FOR THE JV-XXCG FLOW METER

Cleaning, inspecting or repairing a JV-CG Series gear flow meter is easily accomplished by following the procedures below.

1. Remove the Sensor (1) from the flow meter body Upper Housing (4). Using a 3mm hex key, loosen the 2 mounting screws inside the sensor.
2. The JV-30 size and smaller use M6 Bolts (2), loosen them using a 5mm hex key. The JV-60 uses M10 Bolts (2), loosen them using an 8mm hex key. Keep the 2 opposing bolts near the Locating Pins (7) engaged by a few threads to avoid stress on the shafts and the locating pins during housing separation. **Please note the orientation of the Upper and Lower housings with respect to each other so that the meter is reassembled the same way.**
3. Holding the Upper Housing (4), gently tap on the top of the 2 opposing bolt heads to separate the Upper Housing (4) from the Lower Housing (9). **Do NOT use chisels or screwdrivers to split and pry apart the housings. This can cause damage to the meter bodies and meter internal parts.**
4. After separation, remove, clean and inspect the gears (6) and shafts (5). Clean out the o-ring groove, shaft holes and meter cavity.
5. After cleaning all parts completely, the Gears (6), Shafts (5) and Locating Pins (7) can be reinserted. Check for free and easy rotation of the gears.
6. Replace the O-Ring (8). PTFE o-rings should always be replaced. FKM o-rings can be reused if they are not damaged.
Note: JVM-60CG Flow meters have 2 o-rings per meter.
7. During reassembly keep the meter housings as parallel as possible. Make sure the housings are orientated the same way they were prior to disassembly.
8. Replace the Washers (3) and the Bolts (2). Torque the bolts to 15Nm for the 12, 20 and 30 size meters and 30Nm for the 60 size meters. Do not force the meter housings together. Do NOT use a hammer or other such device. Over tightening will not cause damage to the meter, but may fatigue the bolts and/or restrict the operation if internal surfaces are not completely clean.
9. After reassembly, gently blow air through the meter so the gears spin. This should be clearly audible given a moderate background noise level.
10. Clean any debris from the pickup holes before remounting the sensor (1) to the Upper Housing (4). Use a 3mm hex key to tighten the mounting screws in the sensor to mount the sensor on the housing. **Note that there is a correct and incorrect orientation for the sensor to be mounted on the flow meter.** Please see the AW Gear Meters website for documentation if you do not have it. The orientation is noted by the sensor's connector with respect to the outlet port of the flow meter.



JV-20CG w/ DH-B Shown

CROSS REFERENCE GUIDE FOR JV-XXCG SERIES SPARE PARTS

Part - Qty. per meter [Drawing Ref. #]	JVM-01CG	JVM-10CG	JVM-15CG	JVM-20CG	JVM-30CG	JVM-60CG
Locating Pin - 2 [7]	AG15030 LP-CG Locating Pin					AG60030 LP-60CG Locating Pin
Shaft - 2 [5]	AG01020 ST-01CG Shaft	AG10020 ST-10CG Shaft	AG15020 ST-15CG Shaft	AG20020 ST-20CG Shaft	AG30020 ST-30CG Shaft	AG60020 ST-60CG Shaft
Gear w/ Insert - 2 [6]	AG01010 GR-01CG	AG10010 GR-10CG	BG10021 GR-02/1	BG10020 GR-02	AG30010 GR-30CG	AG60010 GR-60CG
PTFE O-Ring - 1 [8]	AG01040 COT-01CG	AG10040 COT-10CG	AG15040 COT-15CG			AG60080 - 2 pcs COT-60KG
FKM O-Ring - 1 [8]	AG01045 COV-01CG	AG10045 COV-10CG	AG15045 COV-15CG			AG60085 - 2 pcs COV-60KG
Bolts - 6 [2]	AG15060 - 6 pcs SC-M6x1-30mm					FAS-SM10-1 - 12 pcs M10x70mm
Washers - 6 [3]	AG15065 Washer - M6 Hardened Washer					AG60055 - 12 pcs Washer - M10 Hardened Washer

Table Format:

AG15030	←	AW Part #
LP-CG Locating Pin	←	AW Part Description