

# AURORA WIDE



## Shrink Sleeve Applicator

**Axon's mandrel-style applicator that can apply up to 400mm layflat width film**



## OVERVIEW

The Aurora Wide is a combination of Axon's latest application technology and more than two decades of experience and demonstrated manufacturing leadership in shrink sleeve equipment for large layflat film applications such as multipacks or wide diameter containers. This innovative, mandrel-style applicator is equipped with everything that the Aurora brand stands for: Allen Bradley PLC & HMI, servo automation, PackML programming, plug-n-play functionality for hassle-free upgradeability and customization, plus other unique standard features designed for the benefit of its operators. The Aurora Wide, as all Axon machinery, is proudly engineered, manufactured and tested in our Raleigh, NC facility.



**Axon**

**3080 Business Park Dr.  
Suite 103  
Raleigh, NC 27610**

**Telephone:  
(800) 598-8601  
(919) 772-8383**

**Fax:  
(919) 772-5575**

**[info@AxonCorp.com](mailto:info@AxonCorp.com)**

**[www.AxonCorp.com](http://www.AxonCorp.com)**

powered by Pro Mach The Pro Mach logo is a stylized blue and white icon resembling a gear or a cluster of dots.

## Shrink Sleeve Applicator

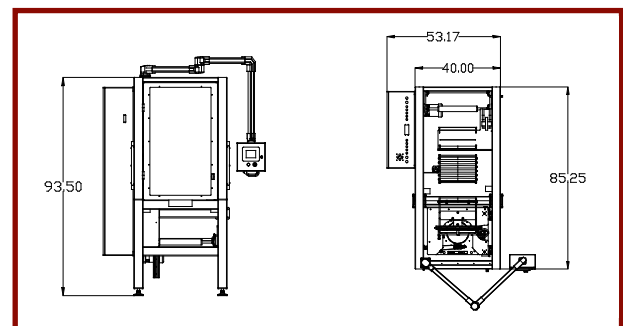


## FEATURES AND BENEFITS

- **Robust** - Tubular, high quality stainless steel frame assures durability in tough environments
- **Cantilevered Design**- Minimal obstruction below conveyor simplifies cleanup
- **Reliable** - Allen Bradley controls coupled with an Allen Bradley touch screen provides industry-leading performance and reliability
- **Precise** - Allen Bradley servo controlled film feed and cut for superior accuracy
- **Ergonomic** - Standard swing arm HMI, height adjustable film roll splicing table with film locking device, and second film roll holder to ease changeover of heavy, large layflat film rolls
- **Motorized Film Unwind** - Motorized film unwind unit with an integrated festoon system provides a smooth flow of film to the servo film feeding mechanism, minimizing film jams
- **HD Knife Blades** - The Wide is equipped with the Aurora rotary knife cut with HD blades that are precisely designed and manufactured for long operating life
- **PackML** - Simplified line integration and consistent terminology for easier operation and maintenance
- **No Grease Fittings** - Maintenance is simplified with no lubrication required
- **Recipe Functionality** - Change machine settings with the push of a button for quick changeovers
- **Electric Height Adjustment** - No hand cranks, simple push button control
- **Connectivity**- Ethernet communications for rapid business systems interface and remote monitoring

## TECHNICAL SPECS

<b>Maximum Speed:</b>	200 cpm*
<b>Film Lay Flat Range:</b>	150 - 400mm
<b>Container Diameter:</b>	30 - 250mm
<b>Applied Materials:</b>	PVC, PETG OPS, PLA
<b>Film Thickness:</b>	40 - 70 microns (1.5 - 3.0 mil)
<b>Power:</b>	230 VAC, 3-phase
<b>Frame Construction:</b>	Tubular stainless steel, 304 grade**



Measurements in inches.

\* Speed dependent on container size and shape

\*\* 316 grade is available for an upcharge