



I Applications

The KST/KSFT pumps are sanitary progressive cavity pumps. Thanks to the hopper and auger, the pumps are suitable for pumping high viscosity products, doughs, pastes and liquids with suspended particles.

I Operating principle

The pump is always fed through the hopper and the auger accompanies the product into the pump. The rotor brings the product along the cavities created between the rotor and the stator up to the outlet.

I Design and features

Versions: bare shaft construction with bearing support (KST) and close-coupled construction with direct coupling to the drive (KSFT).

Pump casing with hopper.

EN 12756 L1K single internal mechanical seal.

DIN 11851 standard connections.

Fixed transmission.

Excentric outlet.

Painted white.

I Materials

Parts in contact with the product	AISI 316L
Other stainless steel parts	AISI 304
Lantern and bearing support	GG-25
Stator	Black NBR (according to FDA 177.2600)
Gaskets	NBR (according to FDA 177.2600)
Mechanical seal	Cer/C/NBR
Internal surface finish	Ra ≤ 0,8µm
External surface finish	bright polish



Hopper with auger

I Options

Connections: clamp, flanges, SMS, etc.

Double pressurized mechanical seal.

Mechanical seals SiC/C and SiC/SiC.

Gland packing.

Stators in black / white EPDM (according to FDA 177.2600) and white NBR.

Gaskets in EPDM (according to FDA 177.2600).

Stainless steel trolley.

Electrical panel.

Cleaning port (CIP).

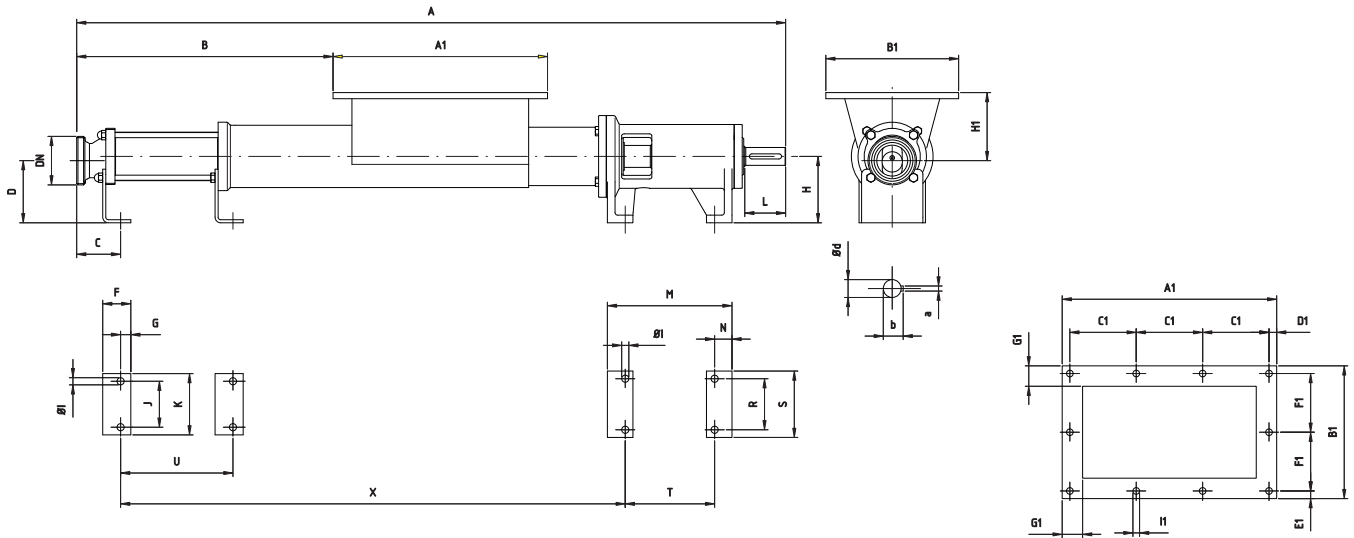


I Technical specifications

Maximum flow	45 m ³ /h	198 US GPM
Maximum working pressure:		
- single stage	6 bar	87 PSI
- double stage	12 bar	174 PSI
Maximum working temperature	85 °C (as per the certified quality) 185 °F	
Maximum speed	450 rpm	
Maximum viscosity	1.000.000 mPa.s.	

Type	Hopper dimensions							
	A1	B1	C1	D1	E1	F1	G1	I1
KST-20	300	210	70	10	10,5	63	25	10
KST-25	365	250	69	10	10	57,5	30	12
KST-30								
KST-40	420	260	130	15	15	115	40	14
KST-50	585	340	110	17,5	15,5	103	40	14
KST-60								
KST-80								

I General dimensions Kiber KST



Type	DN	d	L	a	b	A	B	C	D	F	G	H	H1	I	J	K	M	N	R	S	T	U	X
KST-20	40 1½"	20	50	6	22,5	834	244	57	87	35	12	90	88	11	45	70	179	27	70	100	125	105	556
2KST-20						934	344															205	656
KST-25	50 2"	25	60	8	27,9	1031	331	62	107	40	15	110	128	11	60	90	204	32	90	120	140	166	716
2KST-25						1123	423															258	808
KST-30	50 2"	25	60	8	27,9	1031	331	62	104	40	15	110	131	11	60	90	204	32	90	120	140	166	716
2KST-30						1181	481															316	866
KST-40	65 2½"	35	80	10	38,3	1298	452	86	122	55	20	130	133	14	90	120	244	34	100	130	175	223	898
2KST-40						1488	642															413	1088
KST-50	80 3"	35	80	10	38,3	1374	528	105	117	55	20	130	138	14	90	120	244	34	100	130	175	280	956
2KST-50						1628	782															534	1209
KST-60	100 4"	48	110	14	51,5	1733	643	100	146	60	20	160	174	18	130	170	271	38	150	190	195	330	1262
2KST-60						2033	943															630	1562
KST-80	100 4"	48	110	14	51,5	1863	773	120	132	60	20	160	188	18	150	190	271	38	150	190	195	440	1372
2KST-80						2263	1173															840	1772

Dimensions with connections DIN 11851

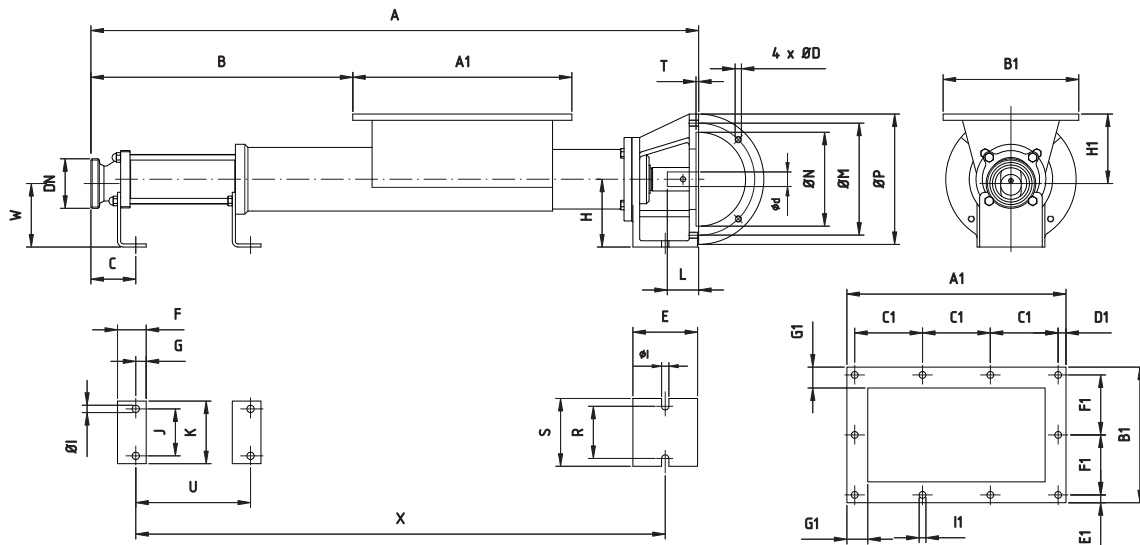


The information is for guidance only. We reserve the right to modify any material or feature without notice in advance. Photos are not binding. For further information, please, consult our web site. www.inoxpa.com



FKST/KSFT.1.EN_1013

I General dimensions Kiber KSFT



Type	DN	A	B	C	E	F	G	H	H1	I	J	K	R	S	U	X	W
KSFT-20	40	689	244	57	101	35	12	90	88	11	45	70	70	100	105	581	87
2KSFT-20	1½"	789	344												205	681	
KSFT-25	50	858	331	62	110	40	15	110	128	11	60	90	90	120	166	739	107
2KSFT-25	2"	950	423												258	831	
KSFT-30	50	858	331	62	110	40	15	110	131	11	60	90	90	120	166	739	104
2KSFT-30	2"	1008	481												316	889	
KST-40	65	1075	452	86	124	55	20	130	133	14	90	120	100	130	223	925	122
2KSFT-40	2½"	1265	642												413	1115	
KSFT-50	80	1151	528	105	124	55	20	130	138	14	90	120	100	130	280	982	117
2KSFT-50	3"	1405	782												534	1236	
KSFT-60	100	1445	643	100	121	60	20	160	174	18	130	170	150	190	330	1283	146
KSFT-80	100	1575	773	120	121	60	20	160	188	18	150	190	150	190	440	1393	132

Dimensions with connections DIN 11851

Type	Drive coupling dimensions								
	d		L		D	M	N	P	T
	Min	Max	Min	Max					
KSFT-20	19	24	42	52	M8	130	110	160	5
KSFT-25	24	28	52	62	M10	165	130	200	5
KSFT-30	24	28	52	62	M10	165	130	200	5
KSFT-40	24	30	52	72	M12	215	180	250	5
KSFT-50	24	30	52	72	M12	215	180	250	5
KSFT-60	35	42	72	112	M12	265	230	300	5
KSFT-80	35	42	72	112	M12	265	230	300	5

Type	Hopper dimensions							
	A1	B1	C1	D1	E1	F1	G1	I1
KSFT-20	300	210	70	10	10,5	63	25	10
KSFT-25	365	250	69	10	10	57,5	30	12
KSFT-30			130	15	15	115	40	14
KSFT-40	420	260	130	15	15	115	40	14
KSFT-50	585	340	110	17,5	15,5	103	40	14
KSFT-60								
KSFT-80								



The information is for guidance only. We reserve the right to modify any material or feature without notice in advance. Photos are not binding. For further information, please, consult our web site. www.inoxpa.com

